

Standard Gain Horn Antenna

WR-08/90-140GHz/25dBi Typ, Gain

Model:TL-8SHA25

TL-8SHA25 is a standard gain horn antenna that operates from 90 GHz to 140 GHz. The antenna offers 25 dBi nominal gain. The input of this antenna is a WR-08 waveguide with UG-387/U-M anti-cocking flange. The standard gain horn is offered for antenna range calibration purpose mainly, but it can be also used for general purpose system set ups.

Features:

- Operating Frequency 90 to 140 GHz
- Gain: 25dBi Typ
- Linear Polarization
- Good Impedance Match

Applications:

- Antenna Ranges
- Antenna Gain Measurements
- System Setups

Electrical Characteristics:

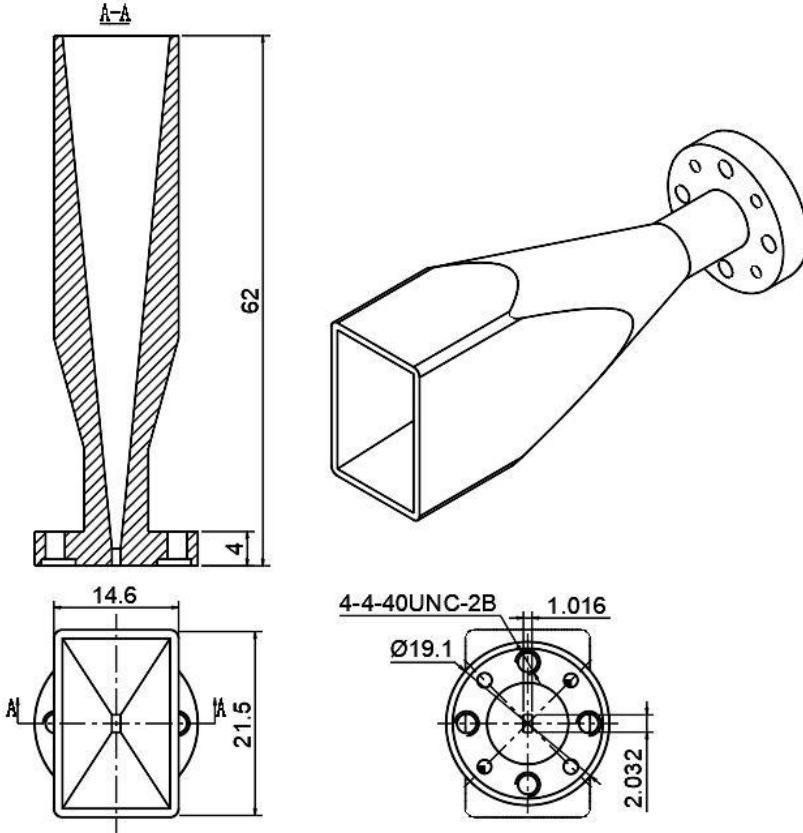

Parameter	Min	Typ	Max	Units
Frequency Range	90		140	GHz
Gain		25		dBi
Polarization mode	Linear			
Input VSWR			1.15	:1

Environmental And Physical Characteristics:

Description	Parameter	Units
Material	Brass	
Connectors	WR-08/UG-387/U	
Size	19.1*21.5*62	mm
Weight	15	g

Outline Drawing:

Unit:mm

ESD Protection: Strictly adhere to ESD precautions to prevent electrostatic damage.

Ordering Information:

Base Number	Description	Revision
TL-8SHA25	Standard Gain Horn Antenna, 90-140GHz, Gain: 25dBi Typ.	Rev.1.0