

## Standard Gain Horn Antenna

### WR-5.1/140-220GHz/25dBi Typ, Gain

**Model:TL-5SHA25**

TL-5SHA25 is a standard gain horn antenna that operates from 140 GHz to 220GHz. The antenna offers 25 dBi nominal gain. The input of this antenna is a WR-5.1 waveguide with UG-387/U-M anti-cocking flange. The standard gain horn is offered for antenna range calibration purpose mainly, but it can be also used for general purpose system set ups.

#### Features:

- Operating Frequency 140 to 220 GHz
- Linear Polarization
- Good Impedance Match

#### Applications:

- Antenna Ranges
- Antenna Gain Measurements
- System Setups

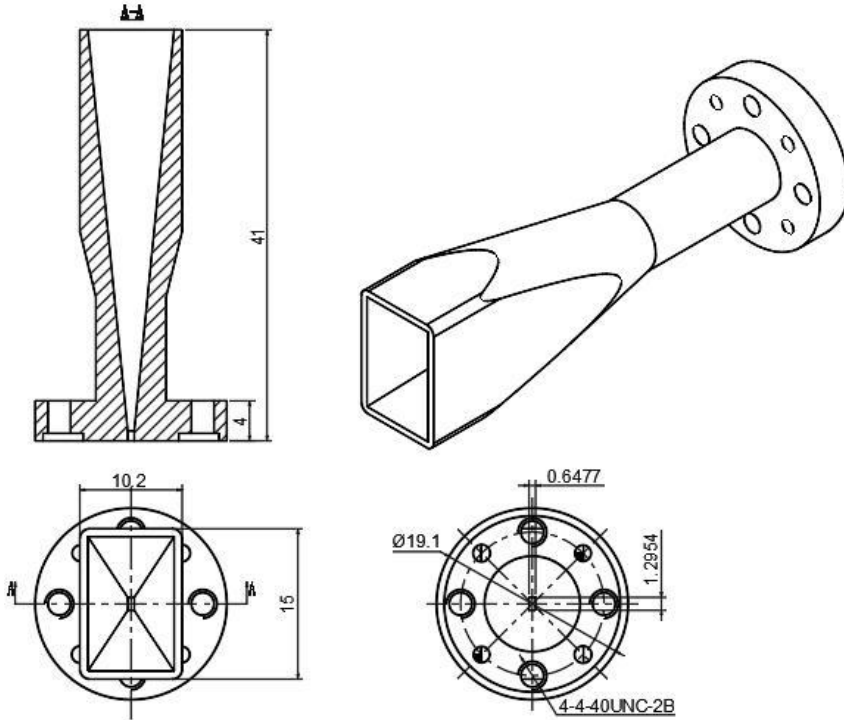
#### Electrical Characteristics:

Parameter	Min	Typ	Max	Units
Frequency Range	140		220	GHz
Gain		25		dBi
Polarization mode	Linear			
Input VSWR			1.2	:1

#### Environmental And Physical Characteristics:

Description	Parameter	Units
Material	Brass	
Waveguide Connectors	WR-5.1/UG-387/U	
Size	19.1*19.1*41	mm
Weight	15	g

**Outline Drawing:**



ESD Protection: Strictly adhere to ESD precautions to prevent electrostatic damage.

**Ordering Information:**

Base Number	Description	Revision
TL-5SHA25	Standard Gain Horn Antenna, 140-220GHz, Gain: 25 dBi Typ.	Rev.1.0