

## Standard Gain Horn Antenna

### WR-4.3/170-260GHz/18dBi Typ, Gain

**Model:TL-4SHA18**

TL-4SHA18 is a standard gain horn antenna that operates from 170 GHz to 260GHz. The antenna offers 18 dBi nominal gain. The input of this antenna is a WR-4.3 waveguide with UG-387/U-M anti-cocking flange. The standard gain horn is offered for antenna range calibration purpose mainly, but it can be also used for general purpose system set ups.

#### Features:

- Operating Frequency 170 to 260 GHz
- Linear Polarization
- Good Impedance Match

#### Applications:

- Antenna Ranges
- Antenna Gain Measurements
- System Setups

#### Electrical Characteristics:

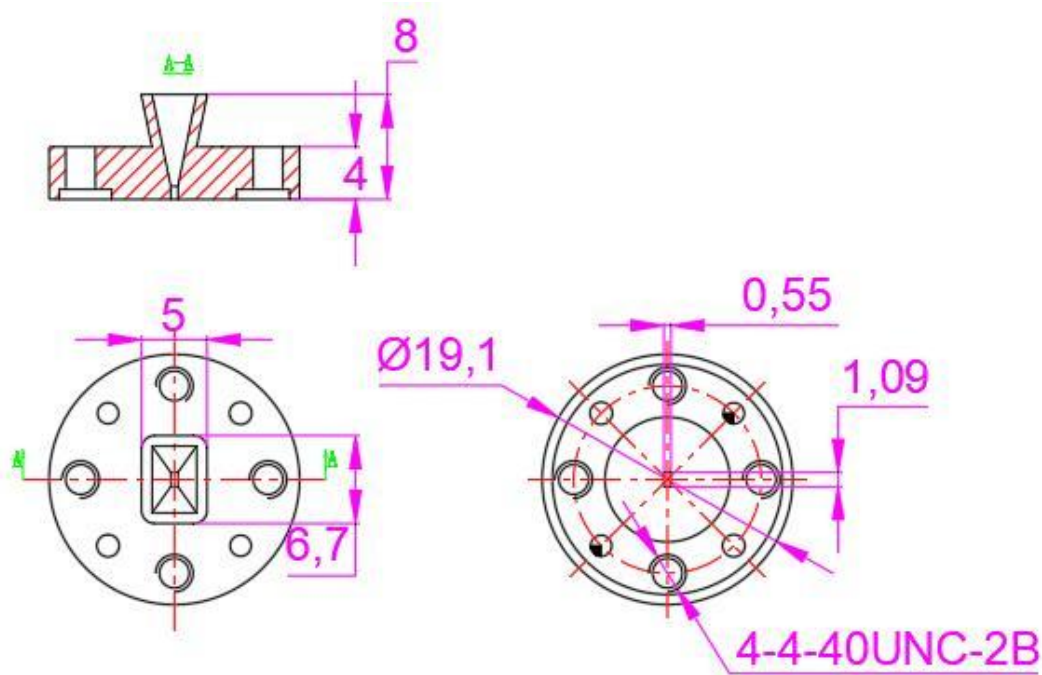
Parameter	Min	Typ	Max	Units
Frequency Range	170		260	GHz
Gain		18		dBi
Input VSWR			1.15	:1
3dB beamwidth		20		°

#### Environmental And Physical Characteristics:

Description	Parameter	Units
Material	Copper	
Finish	Gold plated	
Connectors	WR-4.3/UG-387/U	
Size	ø19.1*8	mm
Weight	0.01	Kg

**Outline Drawing:**

Unit:mm



WR4 horn-18dBi 20°



ESD Protection: Strictly adhere to ESD precautions to prevent electrostatic damage.

**Ordering Information:**

Base Number	Description	Revision
TL-4SHA18	Standard Gain Horn Antenna, 170-260GHz, Gain: 18dBi Typ.	Rev.1.0