

## Standard Gain Horn Antenna

### WR-3.4/220-330GHz/25dBi Typ, Gain

Model:TL-3SHA25-T1

TL-3SHA25-T1 is a standard gain horn antenna that operates from 220 GHz to 330GHz. The antenna offers 25 dBi nominal gain. The input of this antenna is a WR-3.4 waveguide with UG-387/U-M anti-cocking flange. The standard gain horn is offered for antenna range calibration purpose mainly, but it can be also used for general purpose system set ups.

#### Features:

- Operating Frequency 220 to 330 GHz
- Linear Polarization
- Good Impedance Match

#### Applications:

- Antenna Ranges
- Antenna Gain Measurements
- System Setups

#### Electrical Characteristics:

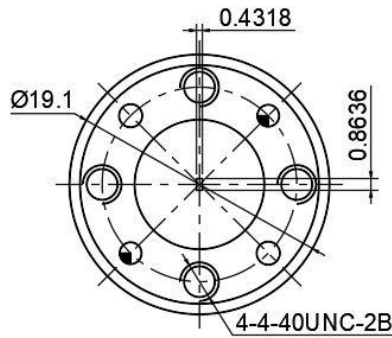
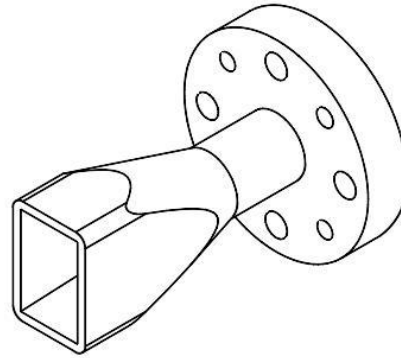
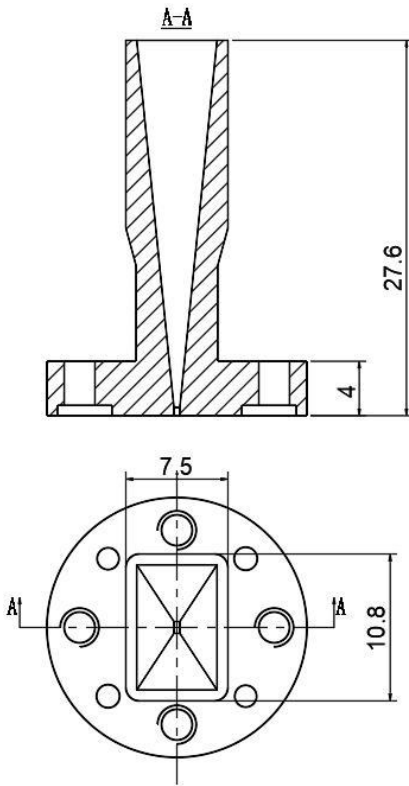
Parameter	Min	Typ	Max	Units
Frequency Range	220		330	GHz
Gain		25		dBi
Polarization mode	Linear			
Input VSWR			1.15	:1
Output mode	APF3			
Antenna Beamwidth		10		°

#### Environmental And Physical Characteristics:

Description	Parameter	Units
Material	Brass	
Connectors	WR-3.4/UG-387/U	
Size	ø19.1*27.6	mm
Weight	10	g

**Outline Drawing:**

Unit:mm



ESD Protection: Strictly adhere to ESD precautions to prevent electrostatic damage.

**Ordering Information:**

Base Number	Description	Revision
TL-3SHA25-T1	Standard Gain Horn Antenna, 220-330GHz, Gain: 25dBi Typ.	Rev.1.0