

Coaxial Termination

DC-18GHz/SMA Male/2W

Model:TT2-18-SMA-E

The TT2-18-SMA-E is a well-matched, 50Ω male termination enabling operation from DC to 18 GHz. This termination features a 2W power rating and 1.3:1 max VSWR.

Features:

- Operating Frequency DC to 18 GHz
- High Return Loss
- Instrumentation Grade

Applications:

- laboratory test
- Communication equipment

Electrical Characteristics:

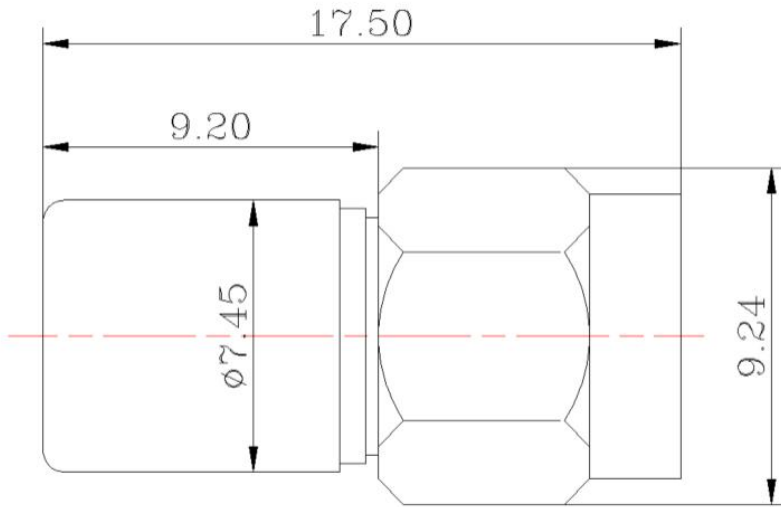
Parameter	Min	Typ	Max	Units
Frequency Range	DC		18	GHz
VSWR			1.3	:1
Power Handling		2		W
Impedance		50		Ohms

Environmental And Physical Characteristics:

Description	Parameter	Units
Operating Temperature	-55 To +125	°C
Storage Temperature	-55 To +125	°C
Connector Material	Stainless steel	
Inner Conductor	Gold plated brass	
Connectors	SMA Male	
Size	ø9.24*17.5	mm

Outline Drawing:

Unit:mm



Ordering Information:

Base Number	Description
TT2-18-SMA-E	DC-18GHz,2W,SMA Male Coaxial Termination