

Waveguide to Coax Adapter, End Launch

WR-15/1.85mm Female/50-67GHz

Model: TL-15WCA1.85E

The TL-15WCA1.85E is end launch waveguide to coax adapters that cover the frequency range of 50 to 67 GHz. It is designed for an efficient transition between the rectangular waveguide and 1.85 mm coax connector.

Features:

- Operating Frequency 50 to 67GHz
- Lower Insertion Loss and VSWR
- Instrumentation Grade
- DC Short Circuit

Applications:

- Test Lab
- Instrumentations
- Sub-assemblies

Electrical Characteristics:

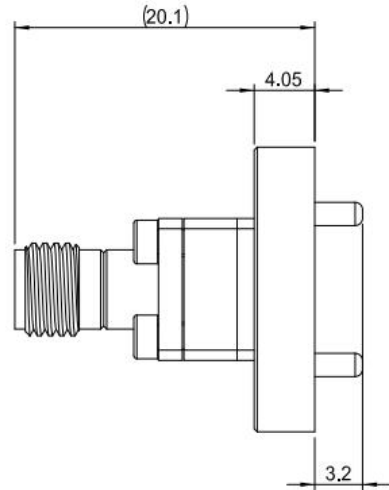
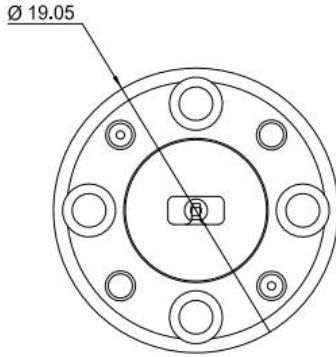
Parameter	Min	Typ	Max	Units
Frequency Range	50		67	GHz
VSWR		1.3	1.5	:1
Insertion Loss		0.4		dB
Power Handling			2	W

Environmental And Physical Characteristics:

Description	Parameter	Units
Operating Temperature	-40 To +85	°C
Storage Temperature	-40 to +85	°C
Material	Aluminum	
Finish	Gold Plated	
Coax Connector	1.85mm Female	
Waveguide	WR-15/UG-385/U-M	

Outline Drawing:

Unit:mm



ESD Protection: Strictly adhere to ESD precautions to prevent electrostatic damage.

Ordering Information:

Base Number	Description	Revision
TL-15WCA1.85E	Waveguide to Coax Adapter, End Launch WR15/1.85mm Female,50-67GHz	Rev.1.0