

Model: TLUC2-1G50G-IF1G
1G~50G Up Convertor
IF :10MHz~1GHz
Feature:

- Input Frequency: 10MHz~1GHz\3Hz~2GHz
- Output Frequency: 1G~50G \3Hz~2GHz
- Output Power : 0dBm@50GHz
- 50 Ohm Matched Input / Output

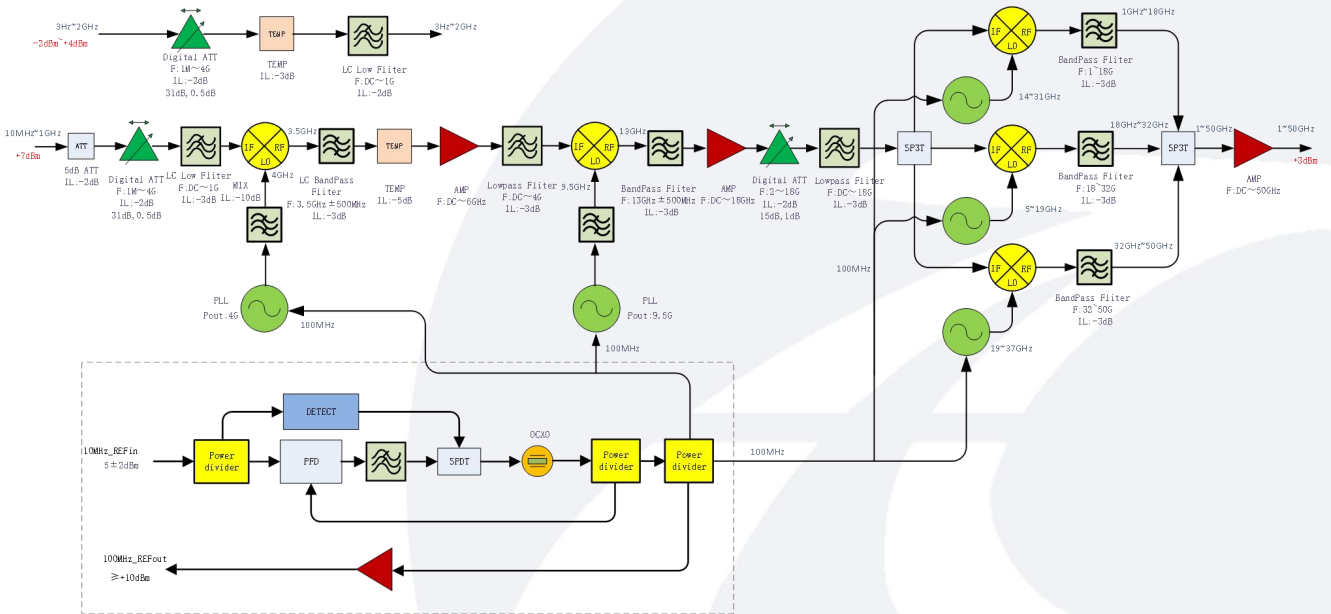
Electrical Specifications:

	Parameter	Min	Typ	Max	Desc.	
Up- conversion channel	IF Frequency	10MHz		1GHz		
	IF Input Power		+7dBm			
	RF Freq. Out	1GHz		50GHz		
	RF Output Power	-35dBm		+3dBm	0dBm@50GHz	
	Attenuation Range		38dB			
	Attenuation Step		1dB			
	Phase Noise		≤ -75dBc/Hz@1KHz			
			≤ -85dBc/Hz@10KHz			
		≤ -90dBc/Hz@100KHz				
		≤ -100dBc/Hz@1MHz				
Spurious @RF out		40dBc				
Calibration channel	Input Frequency	3Hz		2GHz		
	Output Frequency	3Hz		2GHz		
	Input Power	-2dBm		+4dBm		
	Attenuation Range		31dB			
	Attenuation Step		1dB			
	Input Reference Clock	10MHz			Input power≥5dBm, Adaptive	
	Output Reference Clock	100MHz				
	Output Reference Clock Power		10dBm			
	Control Interface	RS232				
	Supply	+12			DC IN	
	Supply Interface	J30J-9ZKP				

Supply I/O Table:

Number	Definition	Function	Direction	Type
1	DC +12	Supply	IN	J30J-9ZKP
2	DC +12	Supply	IN	
3	RX	Control	IN/OUT	
4	TX	Control	IN/OUT	
5	JTCK-SWCLK	Debug	IN/OUT	
6	GND	GND		
7	GND	GND		
8	GND	GND		
9	JTMS-SWDIO	Debug	IN/OUT	

Block Diagram:



Ordering Information:

Part Number	Description	Revision
TLUC2-1G50G-IF1G	1GHz~50GHz Up Converter IF :10MHz~1GHz	Rev.1.0