

Flexible Waveguide Cable

WR15/1.0mm Male/50-75GHz

Model: FW-1.0MWR15-0.2m

FW-1.0MWR15-0.2m is a flexible waveguide cable that covers the frequency range of 50 to 75 GHz. The flexible waveguide cable includes a WR-15 waveguide ports with UG-387/U-M anti-cocking flange and a coax adapter structure with 1.0mm male.

Features:

- Operating Frequency 50 to 75GHz
- VSWR: 1.6:1 Typ
- Insertion loss: 2.5dB Typ
- Low cost
- Fast delivery time

Applications:

- Test Lab
- Instrumentations
- System setups

Electrical Characteristics:

Parameter	Min	Typ	Max	Units
Frequency Range	50		75	GHz
VSWR		1.6		:1
Insertion Loss		2.5		dB
Power Handling		4 CW		W

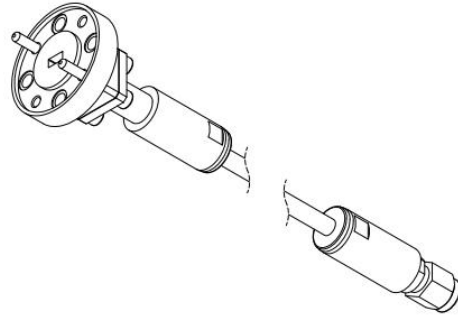
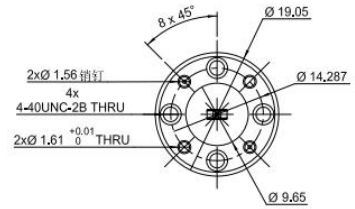
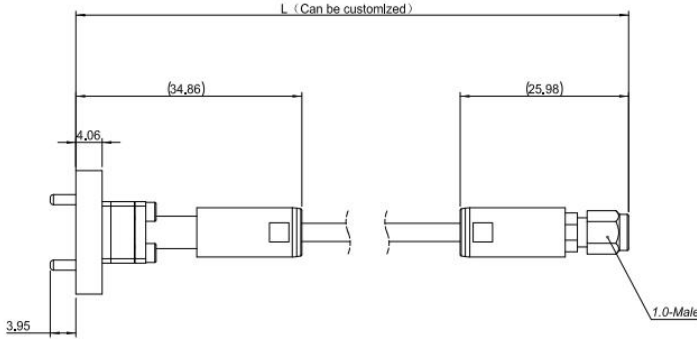
Envrionmental And Physical Characteristics:

Description	Parameter	Units
Operating Temperature	+25	°C
Non-operating Temperature	-55~+165	°C
Minimum Bending Radius	25	mm
Waveguide Connector	WR-15/UG-385/U	
Coax Connector	1.0mm Male	
Length*	0.2	m

*Note:Length can be customized.

Outline Drawing:

Unit:mm



ESD Protection: Strictly adhere to ESD precautions to prevent electrostatic damage.

Ordering Information:

Base Number	Description
FW-1.0MWR15-0.2m	Flexible Waveguide Cable,50-75GHz, 1.0mm Male, WR15, Length can be customized