

Coaxial Fixed Attenuator

SMA Male to Female/DC-26.5GHz

Model: TAXXA10-S-26.5A

TAXXA10-S-26.5A is a 1-10/20/30 dB coaxial attenuator that is used in millimeterwave systems and operates from DC to 26.5 GHz.

Features:

- Operating Frequency DC to 26.5GHz
- Broadband Coverage
- Lost Cost

Applications:

- Test Lab
- Instrumentations
- System Integration

Electrical Characteristics:

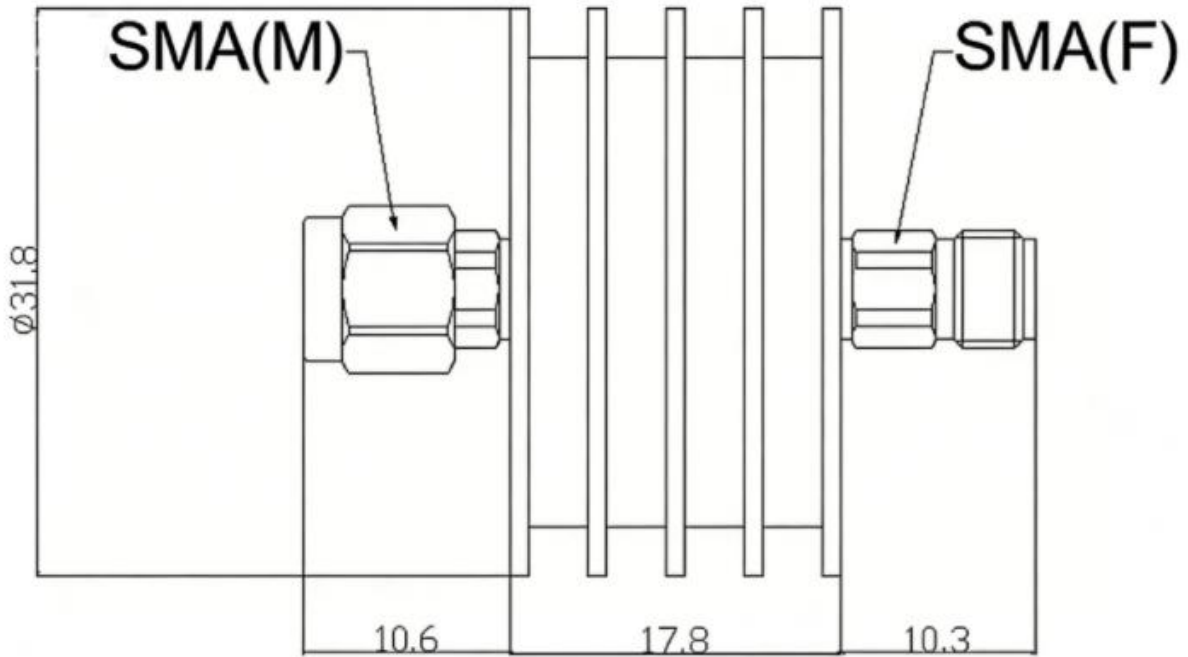
Parameter	Min	Typ	Max	Units
Frequency Range	DC		26.5	GHz
Attenuation Range		1~10(-0.6/+0.8)		dB
		20(-0.6/+0.8)		dB
		30(-0.8/+1.0)		dB
VSWR			1.25	:1
Impedance		50		Ohms
RF Power Rating	10 Watts Average at 25°C PEAK: 100 Watts(5 μs pulse width, 2.5% duty cycle)			

Environmental And Physical Characteristics:

Description	Parameter	Units
Operating Temperature	-55 To +125	°C
Body Material	Black,finned aluminum	
Connector Material	Passivated stainless steel	
Inner Conductor	Beryllium bronze, gold plated	
Connectors	SMA Male/SMA Female	
Size	∅31.8×38.7	mm

Outline Drawing:

Unit:mm



ESD Protection: Strictly adhere to ESD precautions to prevent electrostatic damage.

Ordering Information:

Base Number	Description
TA01A10-S-26.5A	Coaxial Fixed Attenuator, DC-26.5GHz,1(-0.6/+0.8)dB Attenuation
TA02A10-S-26.5A	Coaxial Fixed Attenuator, DC-26.5GHz,2(-0.6/+0.8)dB Attenuation
TA03A10-S-26.5A	Coaxial Fixed Attenuator, DC-26.5GHz,3(-0.6/+0.8)dB Attenuation
TA04A10-S-26.5A	Coaxial Fixed Attenuator, DC-26.5GHz,4(-0.6/+0.8)dB Attenuation
TA05A10-S-26.5A	Coaxial Fixed Attenuator, DC-26.5GHz,5(-0.6/+0.8)dB Attenuation
TA06A10-S-26.5A	Coaxial Fixed Attenuator, DC-26.5GHz,6(-0.6/+0.8)dB Attenuation

Ordering Information:

Base Number	Description
TA07A10-S-26.5A	Coaxial Fixed Attenuator, DC-26.5GHz,7(-0.6/+0.8)dB Attenuation
TA08A10-S-26.5A	Coaxial Fixed Attenuator, DC-26.5GHz,8(-0.6/+0.8)dB Attenuation
TA09A10-S-26.5A	Coaxial Fixed Attenuator, DC-26.5GHz,9(-0.6/+0.8)dB Attenuation
TA10A10-S-26.5A	Coaxial Fixed Attenuator, DC-26.5GHz,10(-0.6/+0.8)dB Attenuation
TA20A10-S-26.5A	Coaxial Fixed Attenuator, DC-26.5GHz,20(-0.6/+0.8)dB Attenuation
TA30A10-S-26.5A	Coaxial Fixed Attenuator, DC-26.5GHz,30(-0.8/+1.0)dB Attenuation