

Equalizer

DC-4GHz /0.6dB, Insertion Loss

Model: TLME-DC4G-1.5

The TLME-DC4G-1.5 is a equalizer. It is a positive gain slope equalizer designed to pass DC to 4GHz. Equalization can be applied to reduce low pass filtering effects in both RF/microwave and high speed digital systems.

Features:

- Frequency range: DC-4 GHz
- Good gain equalization
- Small Size and simple to use
- Excellent return loss

Applications:

- N/A

Electrical Characteristics:

Parameter	Min	Typ	Max	Units
Frequency range	DC-4			GHz
Insertion Loss@4GHz		0.6		dB
Slope		1.5		dB
Return Loss		-25		dB
Power Handling		30		dBm
Impedance	50			Ohms

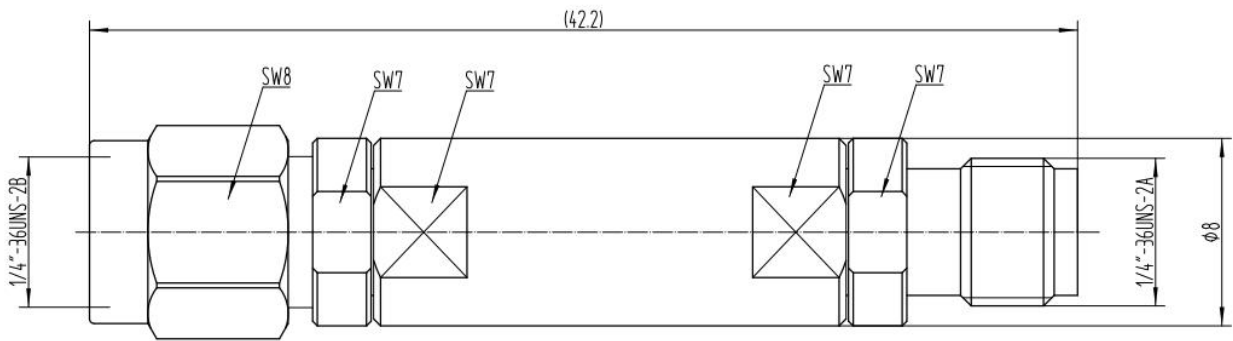
Mechanical Specifications:

Parameter	Value	Units
Input /Output Connector	2.92mm Male/2.92mm Female	
Length	42.2	mm

Outline Drawing:

Unit:mm

Regulatory Compliance:



Environmental Conditions:

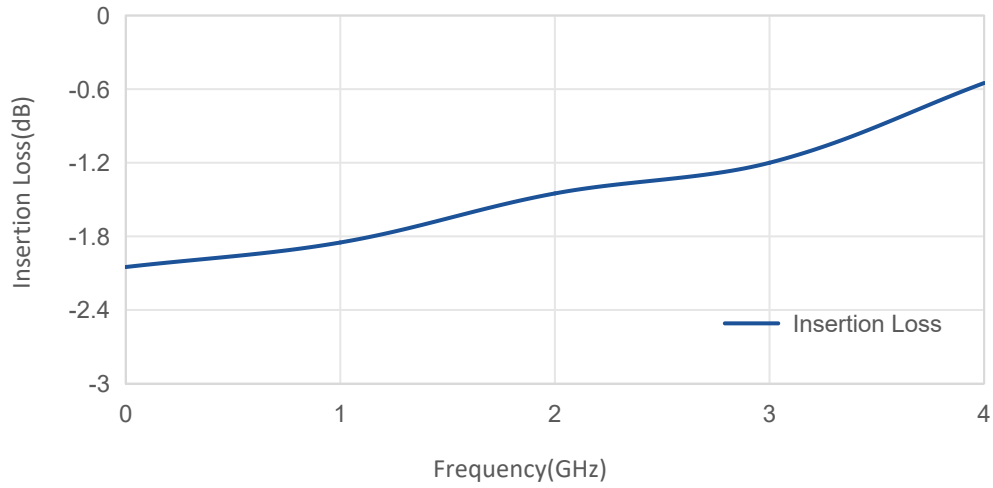
Parameter	Min	Typ	Max	Units
Operating Temperature	-65		+150	°C
Non-operating Temperature	-55		+125	°C
Relative humidity		95		%
Altitude	10,000			feet
Shock / Vibration(MIL-STD-810F)	25g rms (15 degree 2KHz) endurance, 1 hour per axis			
Shock(non operating)	20G for 11msc half sin wave,3 axis both directions			

Ordering Information:

Base Number	Description	Revision
TLME-DC4G-1.5	Equalizer, DC-4GHz, Insertion loss:0.6dB@4GHz	Rev.1.1

Typical Performance Data:

Insertion Loss vs Frequency



Note: Above data is for ref only, actual data may vary from unit to unit depending on operating environment and other factors like material lots etc.