

Waveguide to Coax Adapter, End Launch

WR-6.5/0.8mm Male/110-170GHz

Model: TL-06WCA0.8E

The TL-06WCA0.8E is end launch waveguide to coax adapters that cover the frequency range of 110 to 170 GHz. It is designed for an efficient transition between the rectangular waveguide and 0.8 mm coax connector.

Features:

- Operating Frequency 110 to 170GHz
- Lower Insertion Loss and VSWR
- Instrumentation Grade
- DC Short Circuit

Applications:

- Test Lab
- Instrumentations
- Sub-assemblies

Electrical Characteristics:

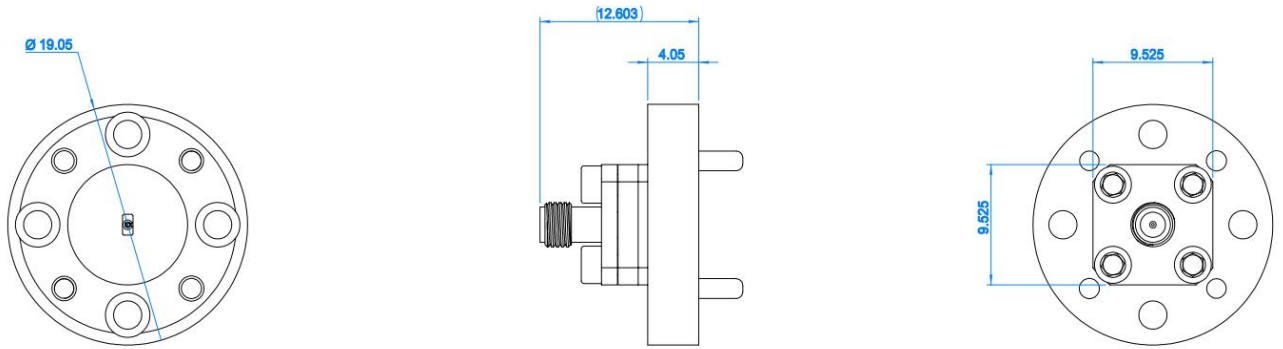
Parameter	Min	Typ	Max	Units
Frequency Range	110		170	GHz
Insertion Loss		1.4		dB
VSWR		1.6		:1
Power Handling			2	W

Environmental And Physical Characteristics:

Description	Parameter	Units
Material	Aluminum	
Finish	Gold Plated	
Coax Connector	1.0mm Male	
Waveguide	WR10/UG-387/U-M	

Outline Drawing:

Unit:mm; Tolerance:±0.1mm



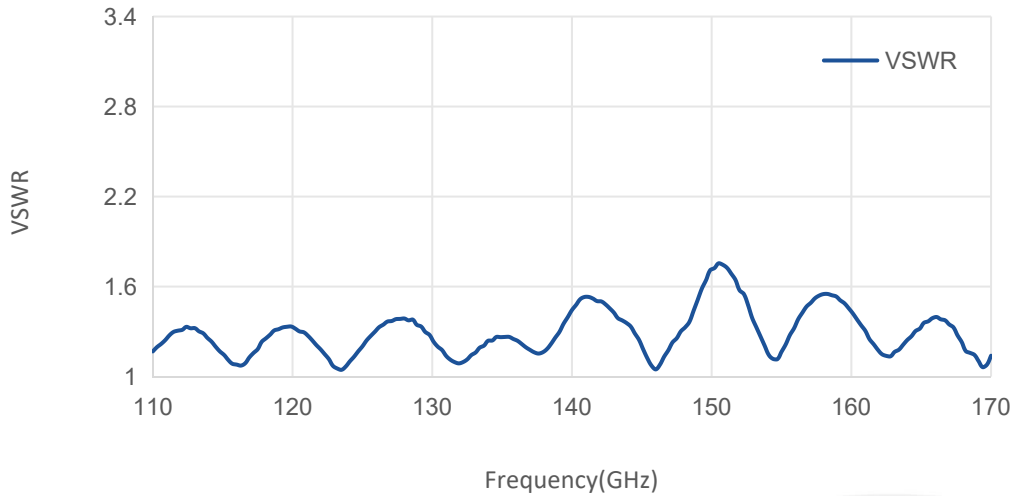
ESD Protection: Strictly adhere to ESD precautions to prevent electrostatic damage.

Ordering Information:

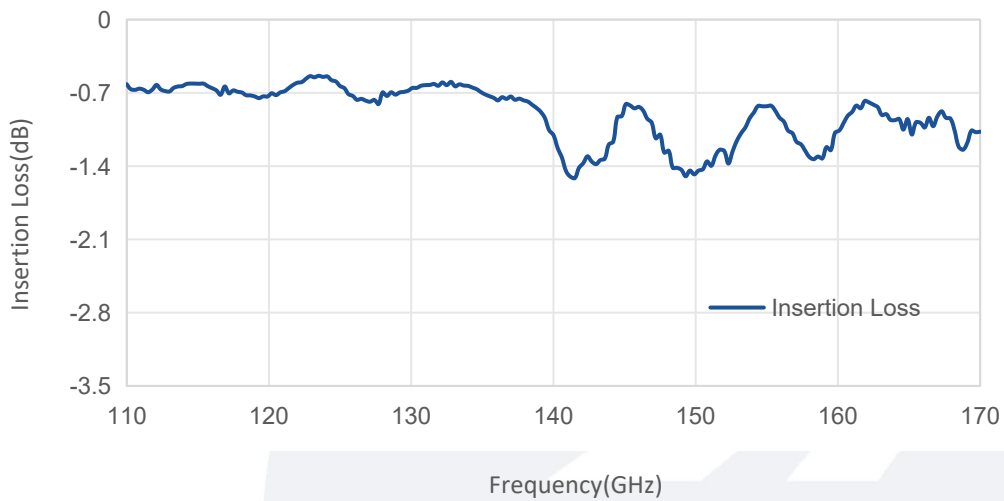
Base Number	Description	Revision
TL-06WCA0.8E	Waveguide to Coax Adapter, End Launch WR-6.5/0.8mm Male,110-170GHz	Rev.1.0

Typical Performance Data:

VSWR vs Frequency



Insertion Loss vs Frequency



Note: Above data is for ref only, actual data may vary from unit to unit depending on operating environment and other factors like material lots etc.