

Phase Trimmer

DC-50GHz/2.4mm Male to Female

Model: TLADPS-2.4

TLADPS-2.4 is a phase trimmers are adjustable passive microwave devices designed for RF applications. TLADPS-2.4 have a phase range of 0° to 360° and a phase adjustment of 7.2° per GHz. Maximum insertion loss for all of our phase trimmers for RF is 1 dB.

Features:

- Operating Frequency DC to 50 GHz
- High phase adjustmant accuracy
- Low insertion loss

Applications:

- laboratory test
- Communication equipment

Electrical Characteristics:

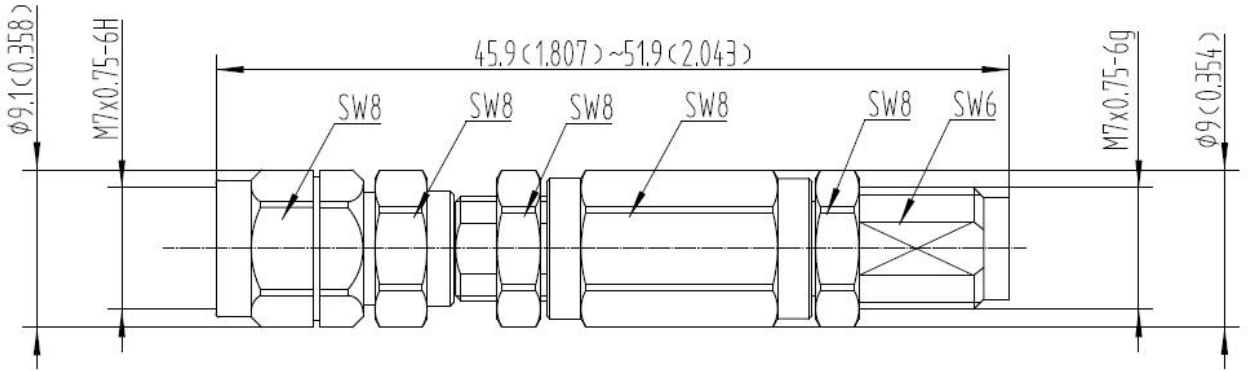
Parameter	Min	Typ	Max	Units
Frequency Range	DC		50	GHz
VSWR			1.4	:1
Insertion Loss			1	dB
Phase adjustment range		7.2 X f(GHz)		°
Phase Sensitivity		0.6 X f(GHz)		°/Circle
Dielectric Withstanding Voltage		750		V
Insulation Resistance		5000		MOhms
Impedance		50		Ohms

Envrionmental And Physical Characteristics:

Description	Parameter	Units
Operating Temperature	-55 To +155	°C
Dielectric	PEI 1000	
Body Material	Stainless steel, Passivated	
Inner Conductor	Be-Cu, Gold plated	
Connectors	2.4mm Male/Female	
Nut Material	Stainless steel, Passivated	

Outline Drawing: Unit:mm

Regulatory Compliance:

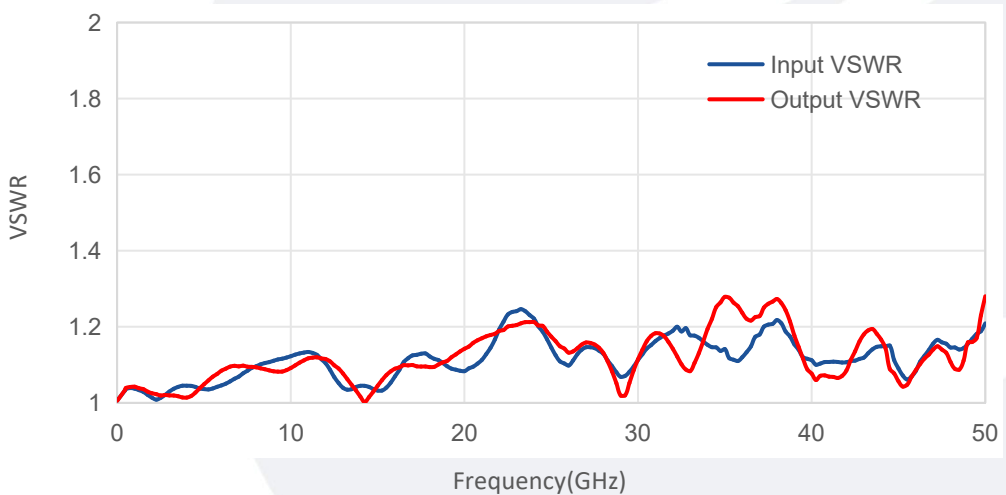


Ordering Information:

Base Number	Description	Revision
TLADPS-2.4	2.4mm straight Male Plug to Female Jack Phase Trimmer, DC-50GHz, Phase adjustment: 7.2° per GHz.	Rev.1.1

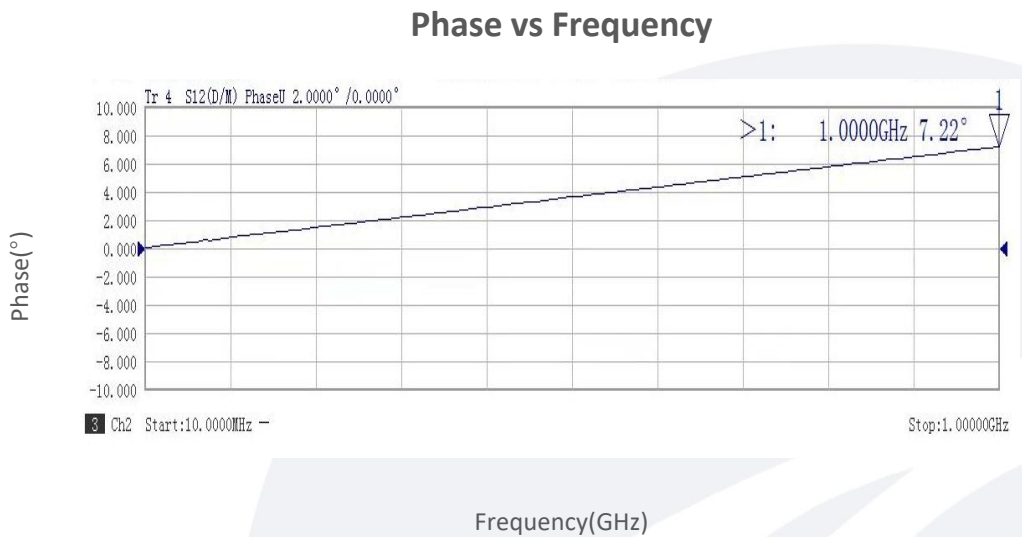
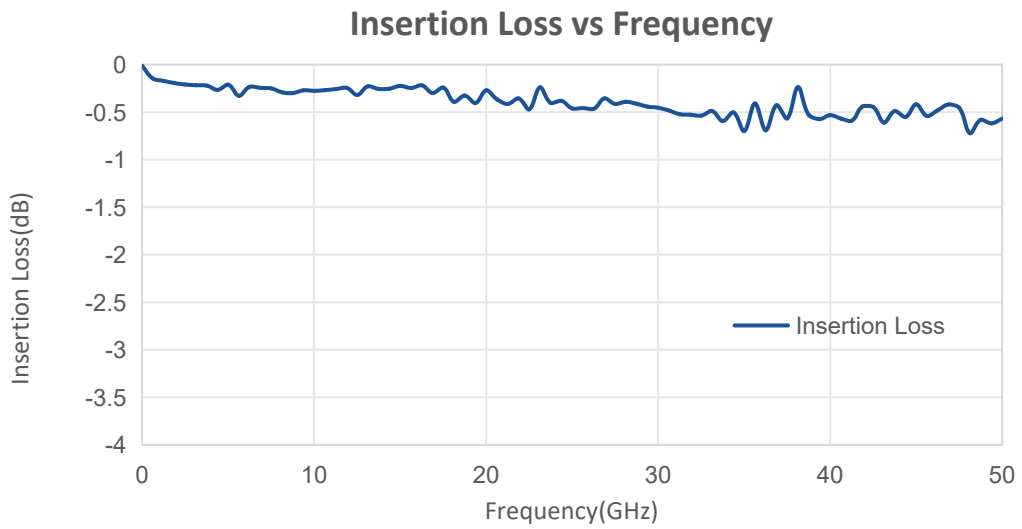
Typical Performance Data:

VSWR vs Frequency



Note: Above data is for ref only, actual data may vary from unit to unit depending on operating environment and other factors like material lots etc.

Typical Performance Data:



Note: Above data is for ref only, actual data may vary from unit to unit depending on operating environment and other factors like material lots etc.