

Coaxial Fixed Attenuator

2.92mm Female&Male/DC-40GHz

Model: TAXXA20-2.92-40

TAXXA20-2.92-40 is a 3~10/20/30/40 dB coaxial attenuator that is used in millimeterwave systems and operates from DC to 40 GHz.

Features:

- Operating Frequency DC to 40GHz
- Broadband Coverage
- Lost Cost

Applications:

- Test Lab
- Instrumentations
- System Integration

Electrical Characteristics:

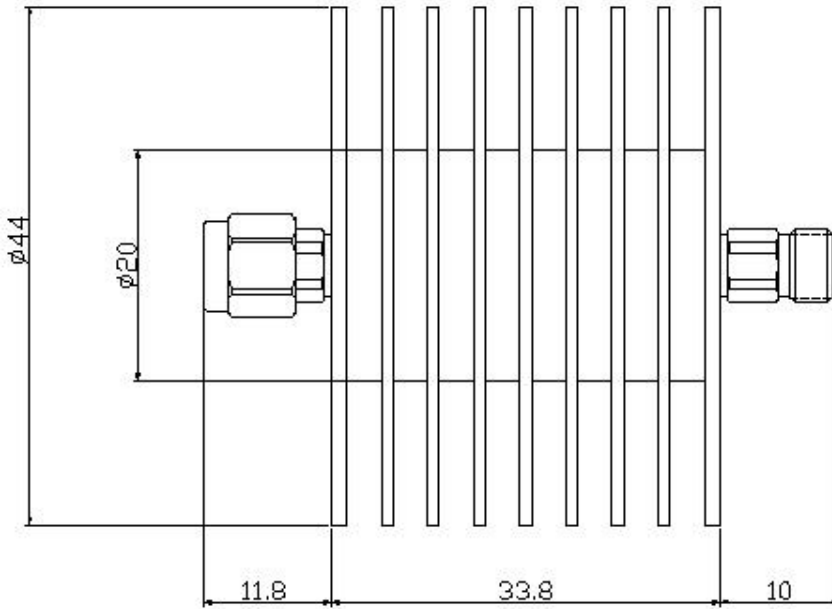
Parameter		Min	Typ	Max	Units
Frequency Range		DC		40	GHz
Attenuation Range			3~10 ±1.5		dB
			20 ±1.5		dB
			30 ±1.5		dB
			40(-1.5/+2.0)		dB
VSWR	@3~30dB			1.3	:1
	@40dB			1.35	
Impedance			50		Ohms
RF Power Rating		20 Watts Average at 25°C; 2 Watts at 125°C PEAK: 200 Watts(5 μs pulse width, 10% duty cycle)			

Environmental And Physical Characteristics:

Description	Parameter	Units
Operating Temperature	-55 To +125	°C
Body Material	Black, finned aluminum	
Connector Material	Passivated stainless steel	
Inner Conductor	Gold plated beryllium copper	
Insulators	PEI	
Connectors	2.92mm Female/Male	
Size	ø44*55.6(3~30dB)	mm

Outline Drawing:

Unit:mm



ESD Protection: Strictly adhere to ESD precautions to prevent electrostatic damage.

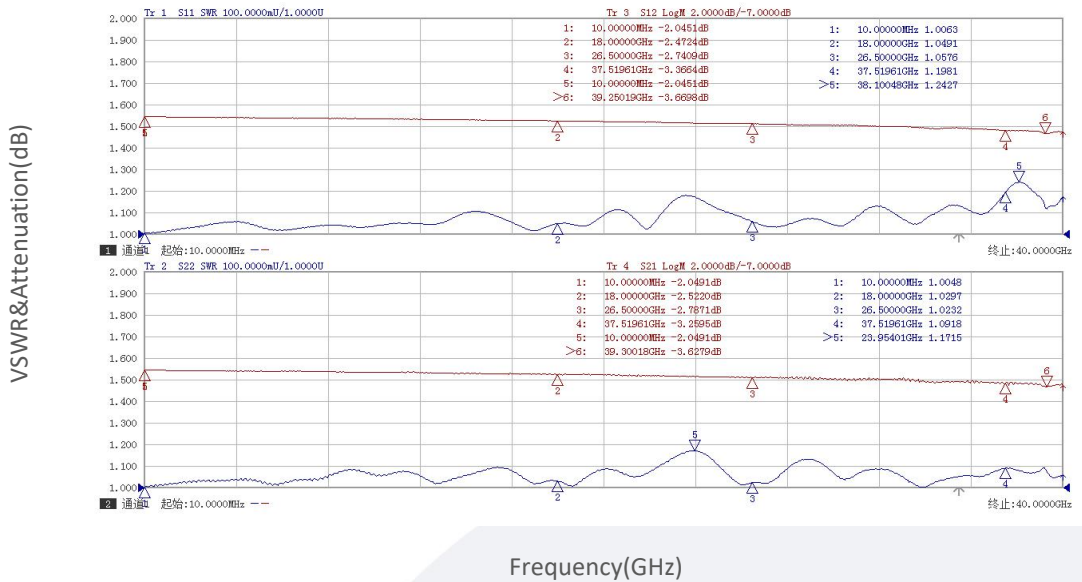
Ordering Information:

Base Number	Description
TA03A20-2.92-40	Coaxial Fixed Attenuator, DC-40GHz,3±1.5dB Attenuation
TA04A20-2.92-40	Coaxial Fixed Attenuator, DC-40GHz,4±1.5dB Attenuation
TA05A20-2.92-40	Coaxial Fixed Attenuator, DC-40GHz,5±1.5dB Attenuation
TA06A20-2.92-40	Coaxial Fixed Attenuator, DC-40GHz,6±1.5dB Attenuation
TA07A20-2.92-40	Coaxial Fixed Attenuator, DC-40GHz,7±1.5dB Attenuation
TA08A20-2.92-40	Coaxial Fixed Attenuator, DC-40GHz,8±1.5dB Attenuation
TA09A20-2.92-40	Coaxial Fixed Attenuator, DC-40GHz,9±1.5dB Attenuation
TA10A20-2.92-40	Coaxial Fixed Attenuator, DC-40GHz,10±1.5dB Attenuation
TA20A20-2.92-40	Coaxial Fixed Attenuator, DC-40GHz,20±1.5dB Attenuation
TA30A20-2.92-40	Coaxial Fixed Attenuator, DC-40GHz,30±1.5dB Attenuation
TA40A20-2.92-40	Coaxial Fixed Attenuator, DC-40GHz,40(-1.5/+2.0)dB Attenuation

Typical Performance Data:

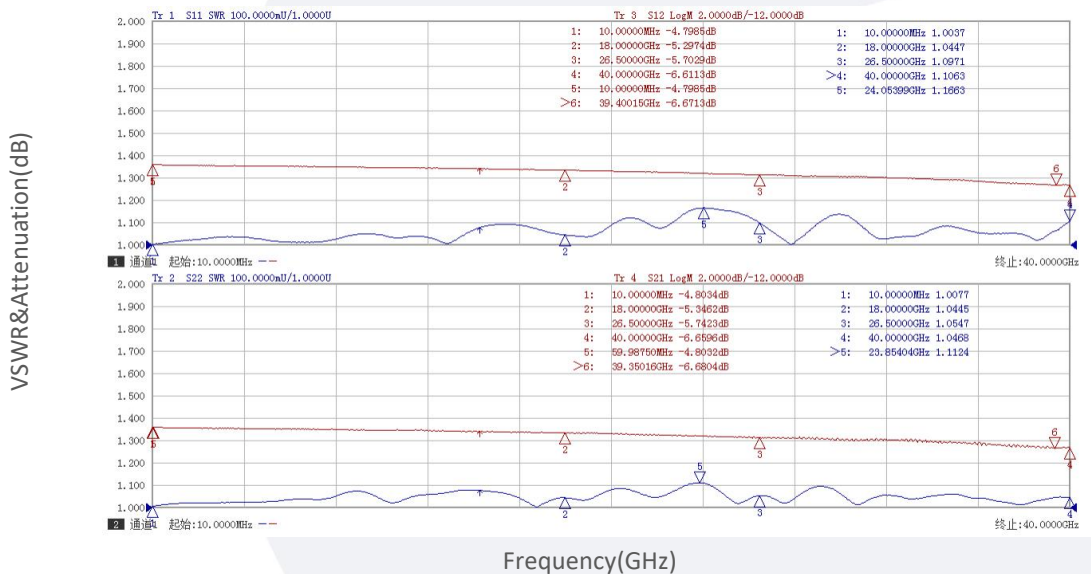
TA03A20-2.92-40:

VSWR&Attenuation vs Frequency



TA06A20-2.92-40:

VSWR&Attenuation vs Frequency

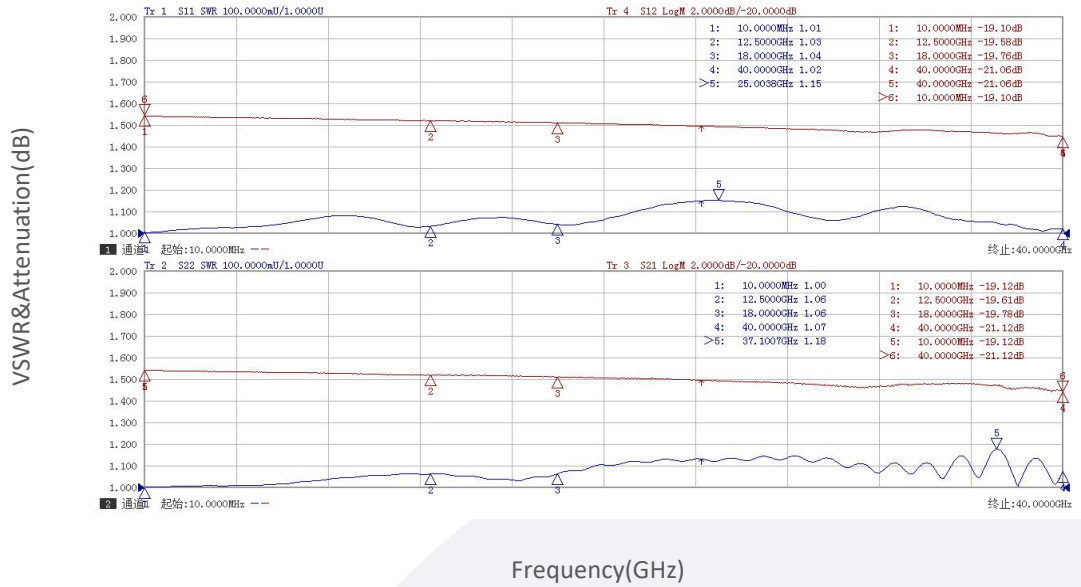


Note: Above data is for ref only, actual data may vary from unit to unit depending on operating environment and other factors like material lots etc.

Typical Performance Data:

TA20A20-2.92-40:

VSWR&Attenuation vs Frequency



Note: Above data is for ref only, actual data may vary from unit to unit depending on operating environment and other factors like material lots etc.