

Coaxial Fixed Attenuator

3.5mm Female&Male/DC-33GHz

Model: TAXXA20-3.5-33

TAXXA20-3.5-33 is a 3/6/10/20/30 dB coaxial attenuator that is used in millimeterwave systems and operates from DC to 33 GHz.

Features:

- Operating Frequency DC to 33GHz
- Broadband Coverage
- Lost Cost

Applications:

- Test Lab
- Instrumentations
- System Integration

Electrical Characteristics:

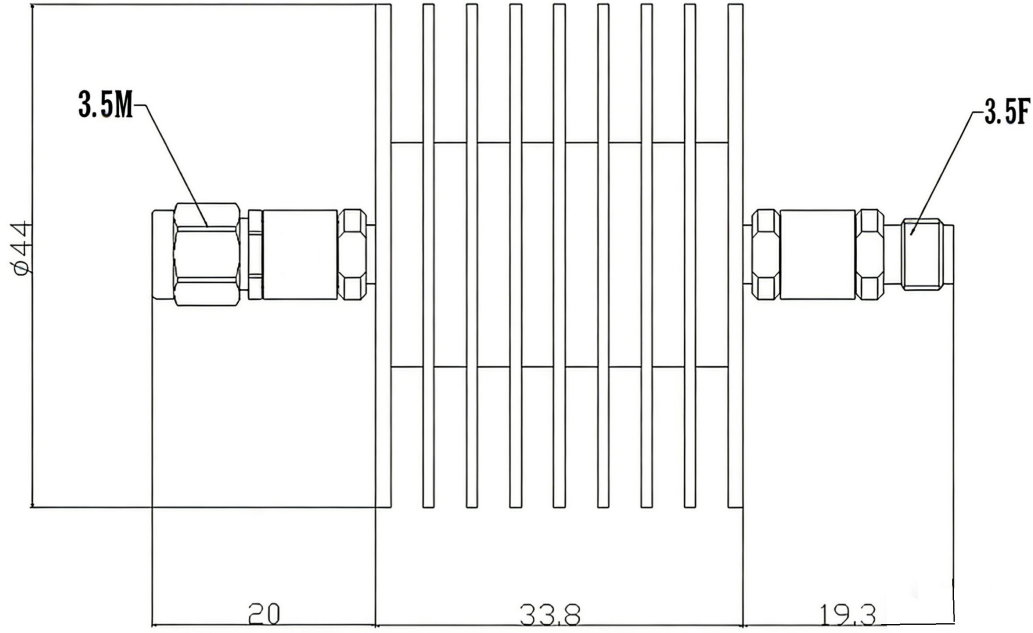
Parameter	Min	Typ	Max	Units
Frequency Range	DC		33	GHz
Attenuation Range		3 ±1.5		dB
		6 ±1.5		dB
		10 ±1.5		dB
		20 ±1.5		dB
		30 ±1.5		dB
VSWR			1.3	:1
Impedance		50		Ohms
RF Power Rating	20 Watts Average at 25°C PEAK: 200 Watts(5 μs pulse width, 10% duty cycle)			

Environmental And Physical Characteristics:

Description	Parameter	Units
Operating Temperature	-55 To +125	°C
Body Material	Black, finned aluminum	
Connector Material	Passivated stainless steel	
Inner Conductor	Gold plated beryllium copper	
Insulators	PEI	
Connectors	3.5mm Female/Male	
Size	ø44*73.1	mm

Outline Drawing:

Unit:mm



ESD Protection: Strictly adhere to ESD precautions to prevent electrostatic damage.

Ordering Information:

Base Number	Description
TA03A20-3.5-33	Coaxial Fixed Attenuator, DC-33GHz, 3 ± 1.5 dB Attenuation
TA06A20-3.5-33	Coaxial Fixed Attenuator, DC-33GHz, 6 ± 1.5 dB Attenuation
TA10A20-3.5-33	Coaxial Fixed Attenuator, DC-33GHz, 10 ± 1.5 dB Attenuation
TA20A20-3.5-33	Coaxial Fixed Attenuator, DC-33GHz, 20 ± 1.5 dB Attenuation
TA30A20-3.5-33	Coaxial Fixed Attenuator, DC-33GHz, 30 ± 1.5 dB Attenuation