

Part No.: RS4DC30-S

Power Splitter/Combiner 4 Way SMA 50Ω DC to 3GHz

电气特性 Electrical:

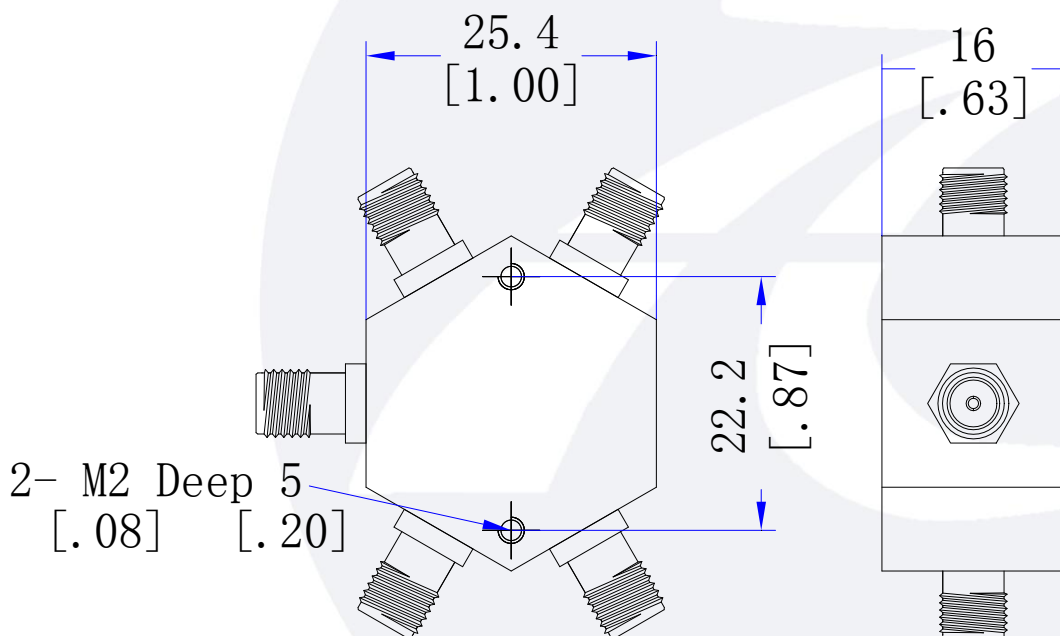
工作频率 Frequency Range: DC-3GHz
 插入损耗 Insertion Loss: $\leq 12\text{dB} \pm 0.8\text{dB}$
 驻波 VSWR: $\leq 1.30 : 1$
 幅度平衡 Amplitude Balance: $\leq \pm 0.8\text{dB}$
 耐功率 Power Handling: 1 Watt
 阻抗 Impedance: 50 OHMS

机械特性 Mechanical:

温度范围 Temperature Range: $-55^{\circ}\text{C} - +85^{\circ}\text{C}$
 接口 Connectors: SMA-Female
 相对湿度 Relative Humidity: 0 ~ 90%

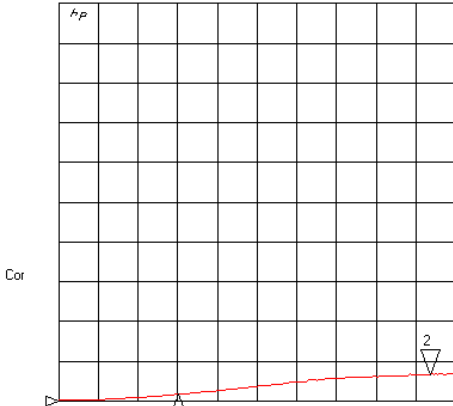
外形尺寸 Outline Drawing:

Unit: mm



9 Jul 2020 08:57:44

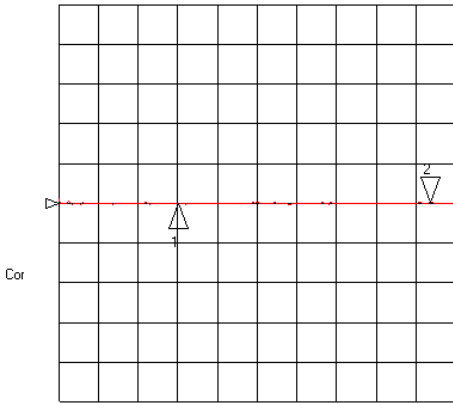
CH1 SWR 100 m / REF 1
S11 2 : 1.0671 3.000 000 000 GHz



CH1 Markers
1 : 1.0169
1.00000 GHz

START 50.000 MHz STOP 3200.000 MHz

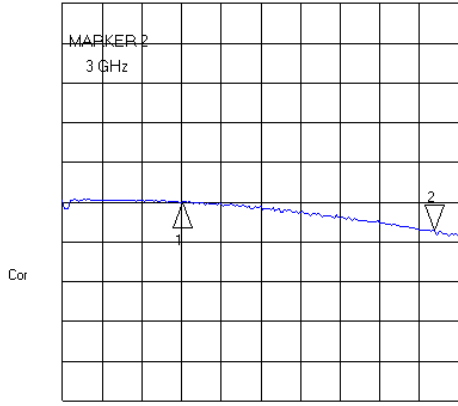
CH3 LOG 8 dB / REF 0 dB
S12/M 2 : .02900 dB 3.000 000 000 GHz



CH3 Markers
1 : .00000 dB
1.00000 GHz

START 50.000 MHz STOP 3200.000 MHz
2002-1-1 01:20:52

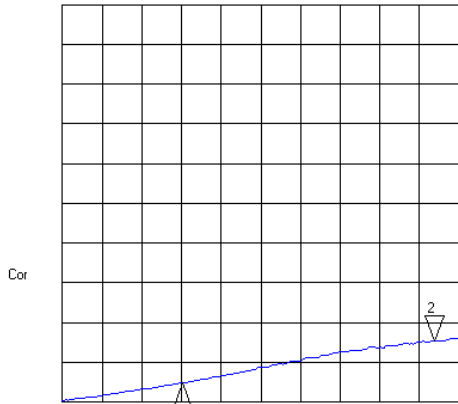
CH2 LOG 8 dB / REF -12 dB
S21 2 : -12.571 dB 3.000 000 000 GHz



CH2 Markers
1 : -11.990 dB
1.00000 GHz

START 50.000 MHz STOP 3200.000 MHz

CH4 SWR 100 m / REF 1
S22 2 : 1.1548 3.000 000 000 GHz



CH4 Markers
1 : 1.0498
1.00000 GHz

START 50.000 MHz STOP 3200.000 MHz