

Part No.: RS2W60180-S

Power divider/Combiner 2 Way SMA 50Ω 6 to 18 GHz

电气特性 Electrical:

工作频率 Frequency Range:	6-18GHz
插入损耗 Insertion Loss:	≤1.0dB
驻波 VSWR:	≤1.50 : 1
隔离 Isolation:	≥18dB
幅度平衡 Amplitude Balance:	≤±0.5dB
相位平衡 Phase Balance:	≤±5°
耐功率 Power Handling:	30Watt
阻抗 Impedance:	50 OHMS

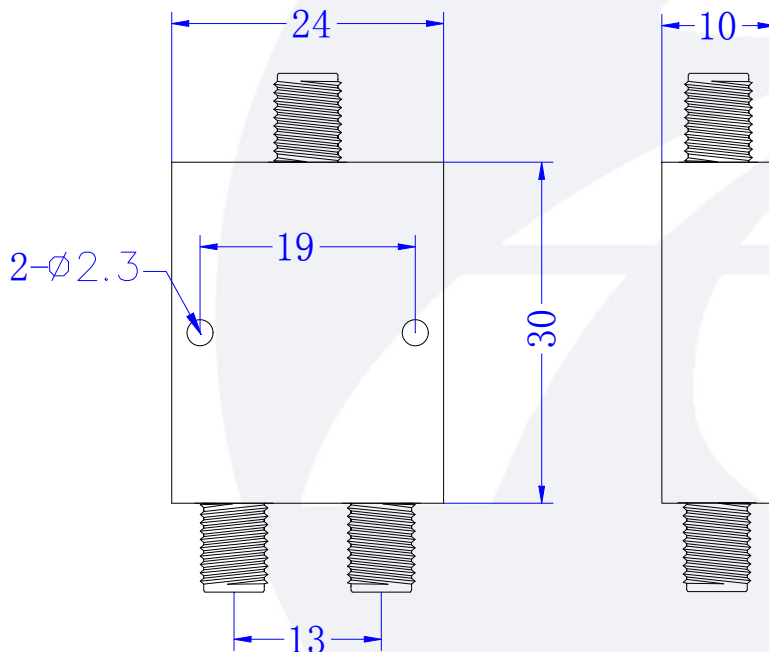


机械特性 Mechanical :

温度范围 Temperature Range:	-55° C - +85° C
接口 Connectors:	SMA-Female
相对湿度 Relative Humidity:	0 ~ 90%

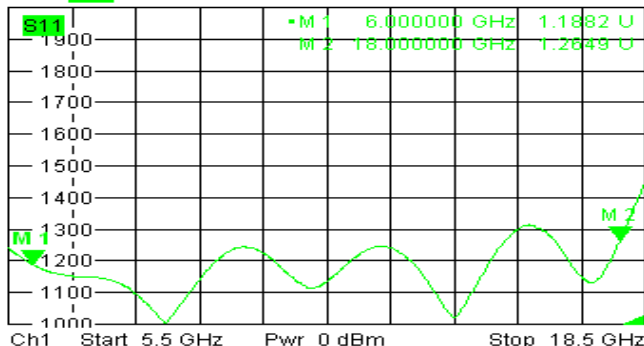
外形尺寸 Outline Drawing:

Unit: mm



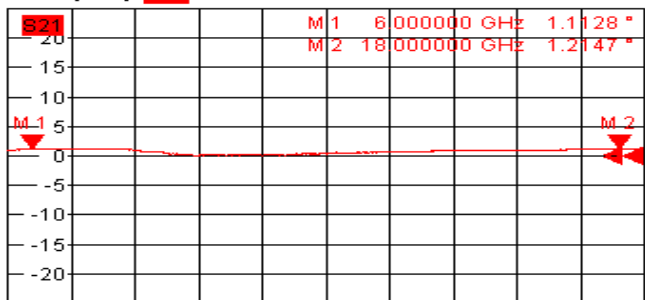


Trc1 **S11** SWR 100 mU/ Ref1 U Cal 1



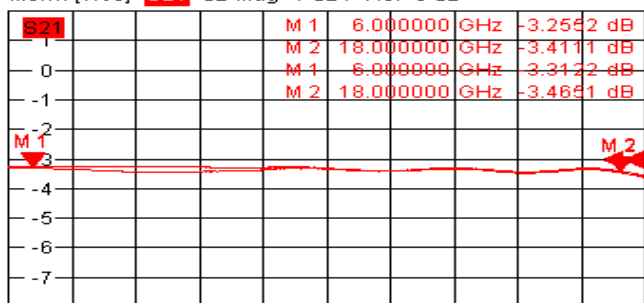
Ch1 Start 5.5 GHz Pwr 0 dBm Stop 18.5 GHz

Trc2 **S21** Phase 5° / Ref0° Cal Math 2
Mem8[Trc2] **S21** Phase 5° / Ref0° Invisible



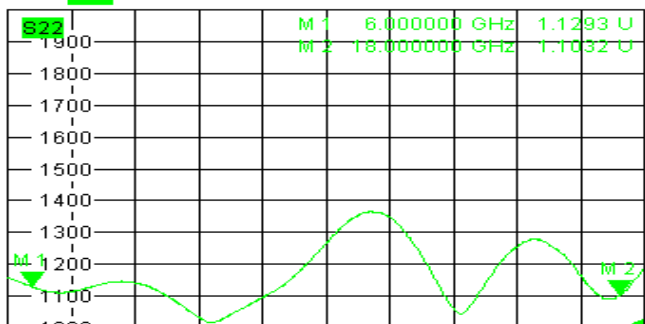
Ch1 Start 5.5 GHz Pwr 0 dBm Stop 18.5 GHz

Trc3 **S21** dB Mag 1 dB / Ref -3 dB Cal 3
Mem7[Trc3] **S21** dB Mag 1 dB / Ref -3 dB



Ch1 Start 5.5 GHz Pwr 0 dBm Stop 18.5 GHz

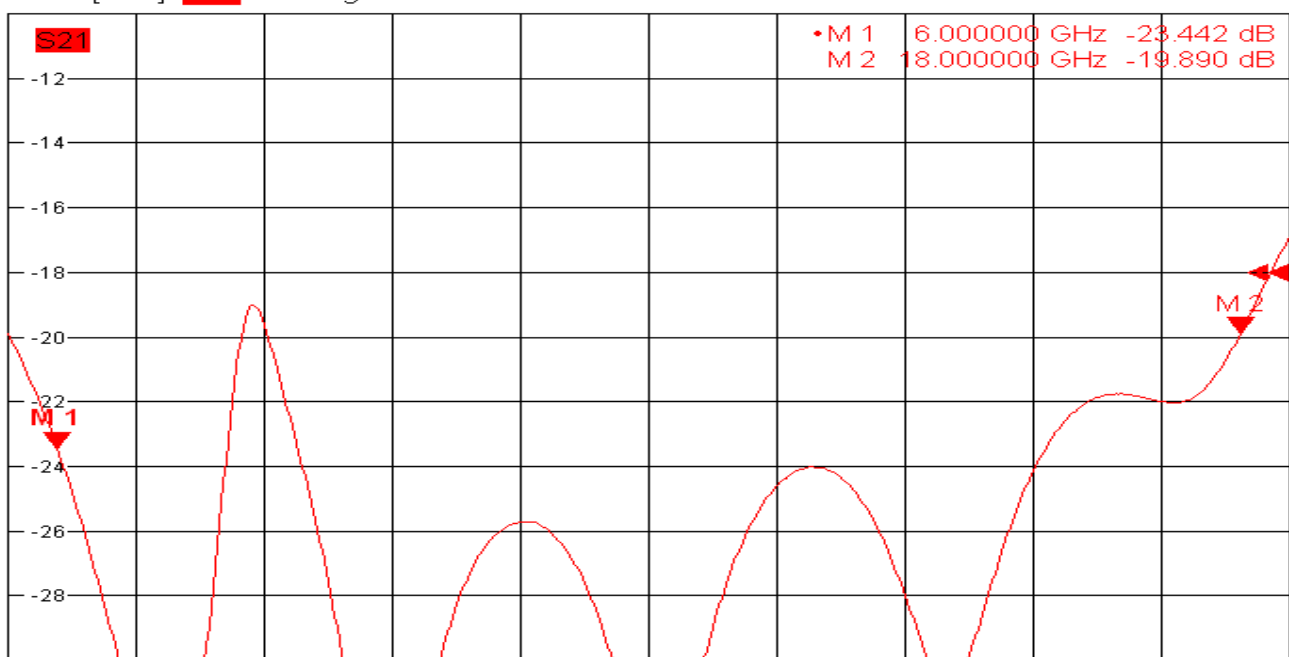
Trc4 **S22** SWR 100 mU/ Ref1 U Cal 4



Ch1 Start 5.5 GHz Pwr 0 dBm Stop 18.5 GHz



Trc2 **S21** dB Mag 2 dB / Ref -18 dB Cal 2 of 4 (Max)
Mem8[Trc2] **S21** dB Mag 2 dB / Ref -18 dB Invisible



Ch1 Start 5.5 GHz Pwr 0 dBm Stop 18.5 GHz