

Model: TLSP10T1G40GA
**Absorptive, Broadband PIN Switch
 1-40 GHz, SP10T, 2.92mm**
Feature:

- Ultra Wide Band: 1-40 GHz
- Low Insertion Loss: 10.0 dB
- Power Handling : 23 dBm
- High Isolation
- Switch Type: Absorptive

Electrical Specifications:

Parameter	Min	Typ	Max	Units
Frequency range	1-40			GHz
Insertion Loss		10		dB
Isolation	50	55		dB
Switch Speed		100	200	ns
Input VSWR		2.2	2.5	:1
Output VSWR		2.2	2.5	:1
Power Handling			23	dBm
Control Logic TTL		0/+5		V DC
DC Supply Voltage		+/-5		V DC
DC Supply Current		650/-50		mA
Switch type	Absorptive			
Impedance	50			Ohms

Mechanical Specifications:

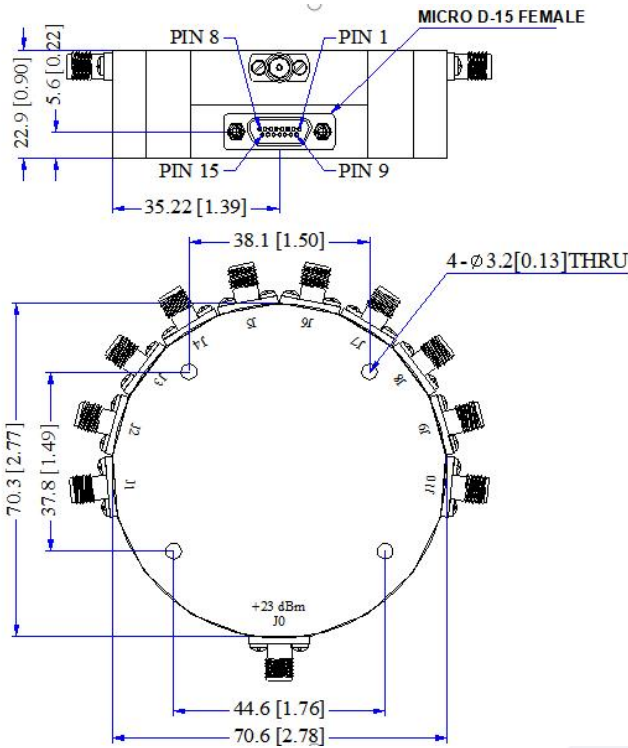
Parameter	Value	Units
Input /Output Connector	2.92mm Female/2.92mm Female	
DC Control Connector	MICRO D-15 Female	
Size	70*70*22.9	mm
Weight	/	g

Absolute Maximum Ratings:

Parameter	Value
Supply Bias Voltage	±5%
RF Input Power	23 dBm
ESD sensitivity (HBm)	Class 0, passed 150V

Outline Drawing:

Unit: mm



Truth Table				
TTL Control Input				Signal Path State
C4	C3	C2	C1	
0	0	0	0	J0-J1
0	0	0	1	J0-J2
0	0	1	0	J0-J3
0	0	1	1	J0-J4
0	1	0	0	J0-J5
0	1	0	1	J0-J6
0	1	1	0	J0-J7
0	1	1	1	J0-J8
1	0	0	0	J0-J9
1	0	0	1	J0-J10

TTL Control Voltages &VDD	
Stage	Bias Condition
VDD	+5V (±5%)
VEE	-5V (±5%)
Low (0)	0 to 0.8Vdc
High (1)	2.0 to +5.0Vdc

Supply Conector(MICRO D-15):

MICRO D-15 Female Define			
Pin#	Function	Pin#	Function
1	C1	9	GND
2	C2	10	+5V
3	C3	11	-5V
4	C4	12	GND
5	NC	13	+5V
6	NC	14	-5V
7	NC	15	NC
8	NC		

Environmental Conditions:

Parameter	Min	Typ	Max	Units
Operating Temperature	-25		+85	°C
Non-operating Temperature	-55		+125	°C
Relative humidity		95		%
Altitude	10,000			feet
Shock / Vibration(MIL-STD-810F)	25g rms (15 degree 2KHz) endurance, 1 hour per axis			
Shock(non operating)	20G for 11msc half sin wave,3 axis both directions			

Ordering Information:

Part Number	Description	Revision
TLSP10T1G40GA	Absorptive, Broadband PIN Switch 1-40 GHz, SP10T, 2.92mm	Rev.1.1