

Part No : TLLF-110140-40

## WR 6.5 Waveguide Low Pass Filter

### Electrical Specifications:

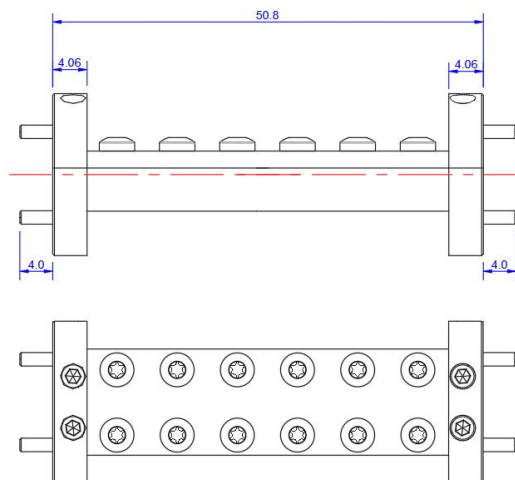
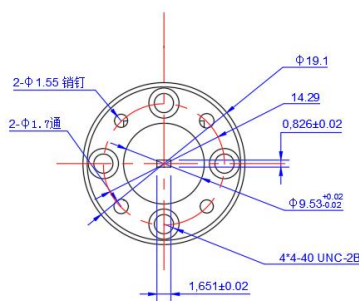
Parameter		Min	Typ	Max	Units
Passband Frequency range		110-140			KHz
Passband Insertion Loss				1.6	dB
Rejection	@148-170GHz	40			dBc
	@145GHz	20			dBc
Return Loss			-20	-16	dB

### Mechanical Specifications:

Operation Temperature:	-40°C - +70°C
Storage Temperature:	-55°C - +85°C
Connectors:	WR6.5 UG-387/U-M
Size:	50.8* $\varnothing$ 19.1mm

### Outline Drawing:

Unit: mm



### Ordering Information:

Part Number	Description	Revision
TLLF-110140-40	Waveguide Low Pass Filter,110-140GHz,Insertion Loss:1.6dB, Rejection:≥40dBc@148-170GHz,WR6.5 UG-387/U-M	Rev.1.1