

Model: TMLA-110170-3370-06
Low Noise Amplifier
110-170GHz, NF:7.0 dB, Gain:33 dB
Feature:

- Ultra Wide Band: 110-170 GHz
- Gain: 33dB Typ
- Noise Figure: 6.5dB Typ
- Unconditional stability

Electrical Specifications:

Parameter	Min	Typ	Max	Units
Frequency range	110		170	GHz
Gain		33		dB
Noise Figure		6.5		dB
Output P1dB		-3		dBm
Input VSWR		2.7		:1
Output VSWR		2.2		:1
DC Voltage		12		V DC
DC power supply		60		mA

Mechanical Specifications:

Parameter	Value	Units
Input Connector	WR-06/ UG-387/U	
Output Connector	WR-06/ UG-387/U	
Power Supply Pin	Solder Pin	
Size	39*30*23	mm

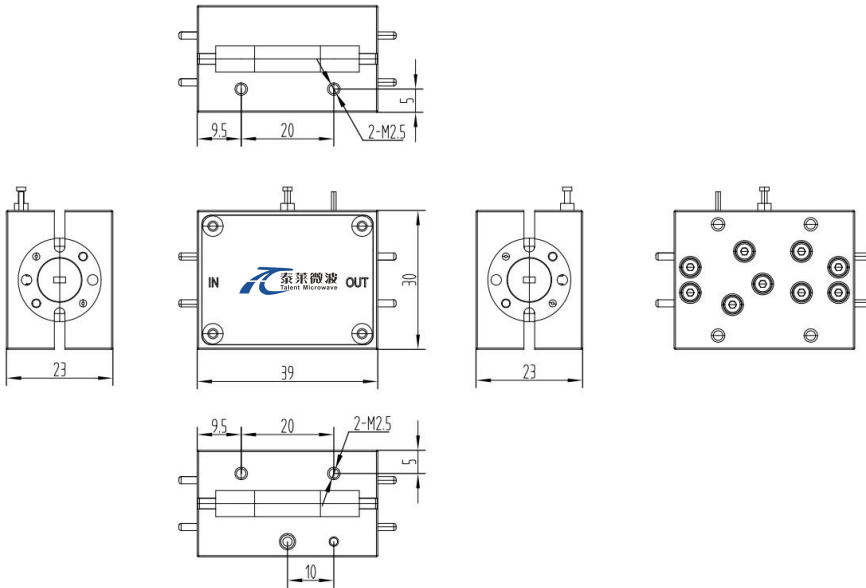
Absolute Maximum Ratings:

Parameter	Value
Supply Bias Voltage	+15 V
RF Input Power	+10 dBm
ESD sensitivity (HBm)	Class 0, passed 150V


**Available 220V System
 Benchtop Amplifier**

Outline Drawing:

Unit: mm



OBSERVE PRECAUTIONS
ELECTROSTATIC SENSITIVE
DEVICES

Environmental Conditions:

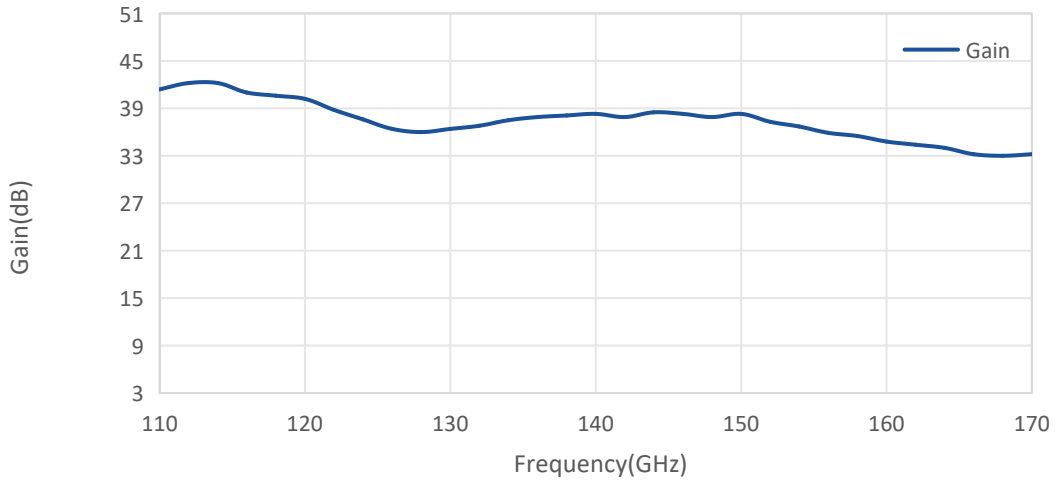
Parameter	Min	Typ	Max	Units
Operating Temperature	-45		+85	°C
Non-operating Temperature	-55		+125	°C
Relative humidity		95		%
Altitude		10,000		feet
Shock / Vibration(MIL-STD-810F)	25g rms (15 degree 2KHz) endurance, 1 hour per axis			
Shock(non operating)	20G for 11msc half sin wave,3 axis both directions			

Ordering Information:

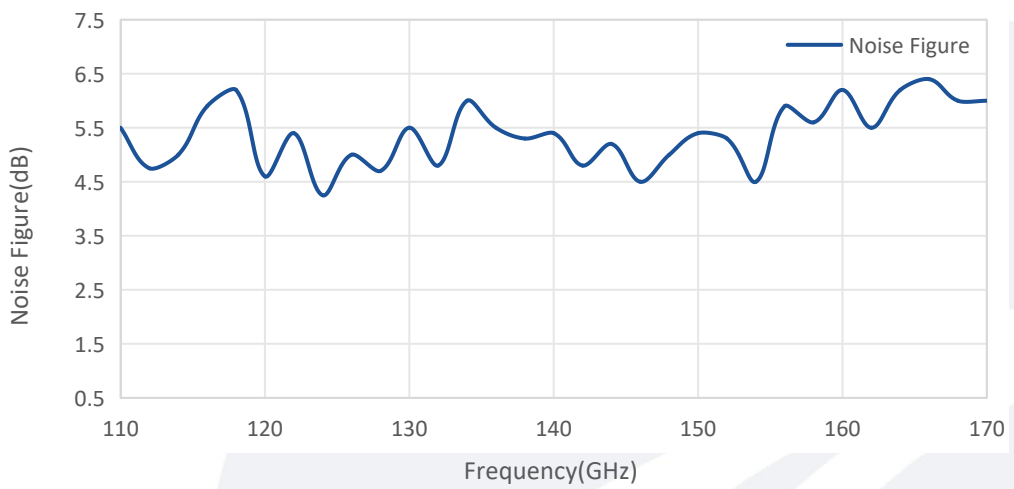
Part Number	Description	Revision
TMLA-110170-3370-06	Low Noise Amplifier,110-170GHz, Noise Figure:6.5dB, Gain:33dB,+12V DC,WR-06	Rev.1.1

Typical Performance Data:

Gain vs Frequency



Noise Figure vs Frequency



Note: Above data is for ref only, actual data may vary from unit to unit depending on operating environment and other factors like material lots etc.