

Model: TLLA33G67G-47-50
Low Noise Amplifier
33-67GHz, NF:5.0dB, Gain:47dB, P1dB:20dBm
Feature:

- Ultra Wide Band: 33-67GHz
- Gain: 47dB Typ
- Noise Figure: 5.0dB Typ@33-50GHz
- Good Power and Gain Flatness
- 50 Ohm Matched Input / Output

Electrical Specifications:

Parameter		Min	Typ	Max	Units
Frequency range		33-67			GHz
Gain		45	47		dB
Noise Figure	@33-50GHz		5		dB
	@50-67GHz		7		dB
Output P1dB	@33-50GHz		20		dBm
	@50-67GHz		18		dBm
Input VSWR			1.8		:1
Output VSWR			1.8		:1
DC Voltage			5	8	V DC
DC Supply Current			750		mA
Impedance		50			Ohms

Mechanical Specifications:

Parameter	Value	Units
Input /Output Connector	1.85mm Female/1.85mm Female	
DC Bias	Solder Pin	
Size	50*60*12	mm
Weight	/	g

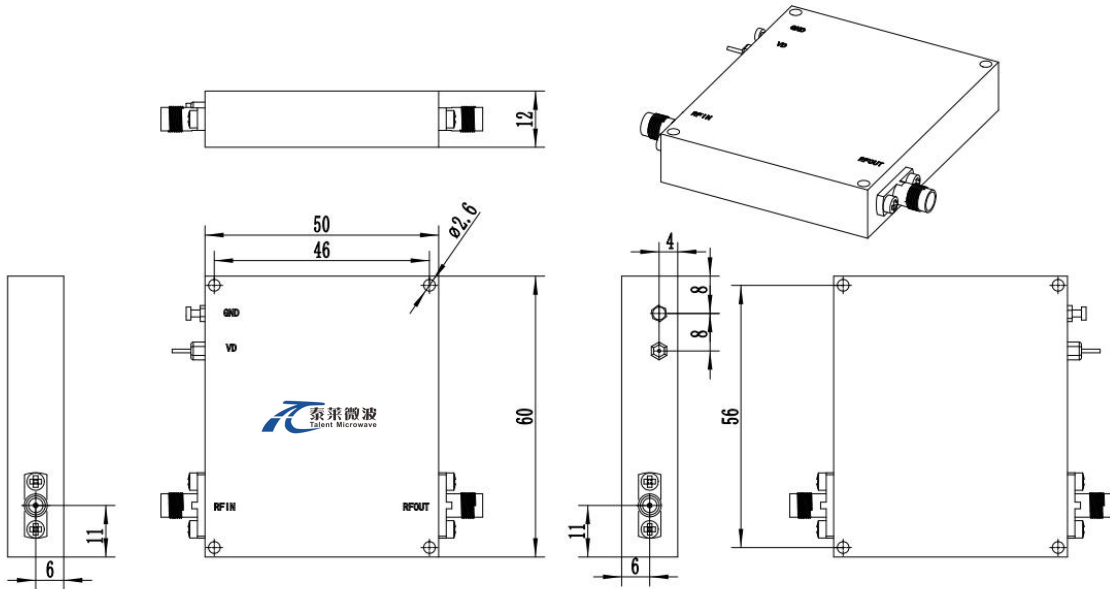
Absolute Maximum Ratings:

Parameter	Value
Supply Bias Voltage	+8 V
RF Input Power	+5 dBm
ESD sensitivity (HBm)	Class 0, passed 150V


**Available 220V System
Benchtop Amplifier**

Outline Drawing:

Unit: mm



*****Heat Sink Required During Operation**



OBSERVE PRECAUTIONS
ELECTROSTATIC SENSITIVE
DEVICES

Environmental Conditions:

Parameter	Min	Typ	Max	Units
Operating Temperature	-45		+85	°C
Non-operating Temperature	-55		+125	°C
Relative humidity		95		%
Altitude		10,000		feet
Shock / Vibration(MIL-STD-810F)	25g rms (15 degree 2KHz) endurance, 1 hour per axis			
Shock(non operating)	20G for 11msc half sin wave,3 axis both directions			

Ordering Information:

Part Number	Description	Revision
TLLA33G67G-47-50	Low Noise Amplifier, 33-67GHz, Noise Figure:5.0dB@33-50GHz, Gain:47 dB,P1dB:20dBm@33-50GHz,+5V DC,Without Heatsink	Rev.1.1
TLLA33G67G-47-50-HS	Low Noise Amplifier, 33-67GHz, Noise Figure:5.0dB@33-50GHz, Gain:47 dB,P1dB:20dBm@33-50GHz,+5V DC,With Heatsink	Rev.1.1