

Model: TLBT-10M6G-50
**Broadband Bias Tee
 SMA, 10MHz-6GHz, 50VDC.**
Feature:

- Ultra Wide Band: 10MHz-6GHz
- Low Insertion Loss
- High Voltage
- High Current Capacity

Electrical Specifications:

Parameter	Min	Typ	Max	Units
Frequency range	10MHz-6GHz			
Insertion Loss	@6GHz	0.5		dB
	@10GHz	0.9		
DC Voltage			50	V DC
DC Current*			400	mA
RF Power			1	W

*Note: Can upgrade to 0.8A for free.

Mechanical Specifications:

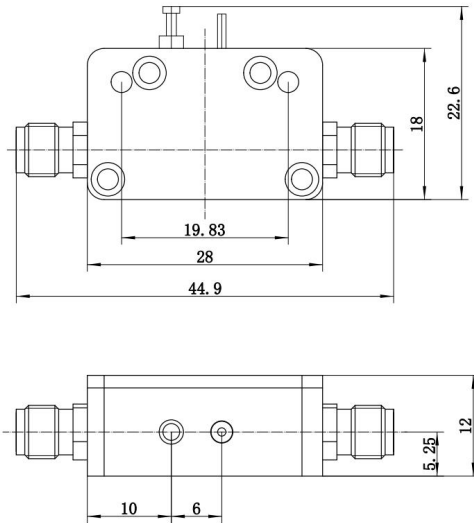
Parameter	Value	Units
Input /Output Connector	SMA Female/SMA Female	
DC Connector	Solder Pin	
Size	44.9*22.6*12	mm
Weight	/	g

Absolute Maximum Ratings:

Parameter	Value
Supply Bias Voltage	+50 V
RF Input Power	30 dBm
ESD sensitivity (HBM)	Class 0, passed 150V

Outline Drawing:

Unit: mm



Environmental Conditions:

Parameter	Min	Typ	Max	Units
Operating Temperature	0		+50	°C
Non-operating Temperature	-55		+125	°C
Relative humidity		95		%
Altitude	10,000			feet
Shock / Vibration(MIL-STD-810F)	25g rms (15 degree 2KHz) endurance, 1 hour per axis			
Shock(non operating)	20G for 11msc half sin wave,3 axis both directions			

Ordering Information:

Part Number	Description	Revision
TLBT-10M6G-50	Broadband Bias Tee SMA,10MHz-6GHz,+50V	Rev.1.1

Notes:

1. All data taken @ +23° C unless otherwise specified.
2. Dimensions and specifications may be changed without prior notice.