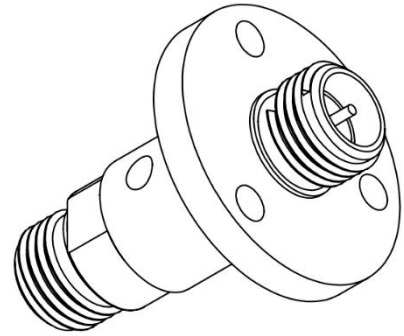


Part No: RJ1-40-008

DC-40 GHz, 2.92mm Female, Single Channel Rotary Joint

ELECTRICAL:

Frequency Range:	DC-40 GHz
Insertion Loss:	≤0.60 dB@18 GHz ≤0.70 dB@26.5 GHz ≤1.0 dB@40 GHz
Insertion Loss WOW:	≤0.1dB
Phase WOW:	1.5°
VSWR:	≤1.40:1@18 GHz ≤1.50:1@26.5 GHz ≤2.5:1@40 GHz
Power:	50 W CW@1GHz 30 KW Peak@18GHz



MECHANICAL :

Rotational Speed :	100rpm
Life:	10 Million
Temperature Range:	-40° C - +70° C
Connectors:	2.92mm Female
Relative Humidity:	0 ~ 90%

Outline Drawing:

Unit: mm

