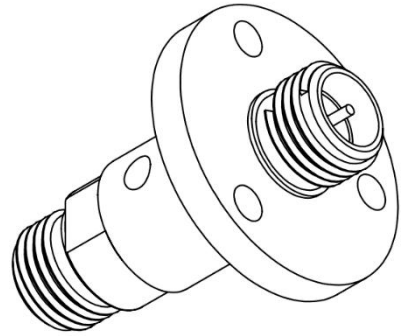


Part No: RJ1-26-005

DC-26.5GHz, 2.92mm Female, Single Channel Rotary Joint

ELECTRICAL:

Frequency Range:	DC-26.5GHz
Insertion Loss:	≤0.40 dB@12.4 GHz
	≤0.60 dB@18 GHz
	≤0.70 dB@26.5GHz
Insertion Loss WOW:	≤0.1dB
Phase WOW:	1.5°
VSWR:	≤1.3:1@12.4 GHz
	≤1.40@18GHz
	≤1.75@26.5GHz
Power:	30 W CW
	3 KW Peak



MECHANICAL :

Rotational Speed :	100rpm
Life:	10 million
Temperature Range:	-40° C - +70° C
Connectors:	2.92mm Female
Relative Humidity:	0 ~ 90%

Outline Drawing:

Unit: mm

