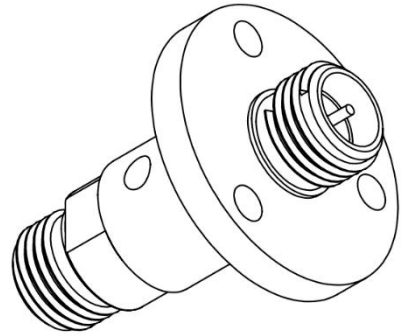


Part No: RJ1-50-007

DC-50 GHz, 2.4mm Female, Single Channel Rotary Joint

ELECTRICAL:

Frequency Range:	DC-50 GHz
Insertion Loss:	≤0.75 dB@26.5 GHz ≤1.20 dB@50.0 GHz
Insertion Loss WOW:	≤0.05dB
VSWR:	≤1.50:1@26.5 GHz ≤1.80:1@50.0 GHz
VSWR WOW:	≤0.05
Power:	50 W CW@1GHz 500 KW Peak@1GHz



MECHANICAL :

Rotational Speed :	≤200rpm
Torque:	1 OZ-IN Typ
Material:	Stainless Steel
Temperature Range:	-40° C - +70° C
Connectors:	2.4mm Female
Relative Humidity:	0 ~ 90%

Outline Drawing:

Unit: mm

