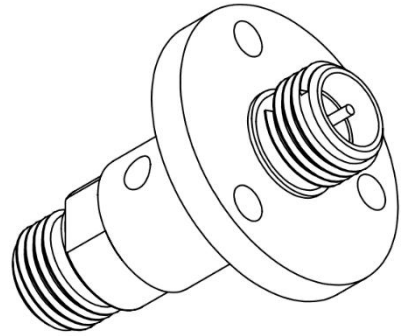


Part No: RJ1-40-006

DC-40 GHz, 2.92mm Female, Single Channel Rotary Joint

ELECTRICAL:

Frequency Range:	DC-40 GHz
Insertion Loss:	≤0.50 dB@18 GHz ≤0.75 dB@26.5 GHz ≤1.0 dB@40 GHz
Insertion Loss WOW:	≤0.1dB
VSWR:	≤1.40:1@10 GHz ≤1.65:1@20 GHz ≤1.80:1@40 GHz
VSWR WOW:	≤0.1
Power:	50 W CW@1GHz 500 KW Peak@1GHz



MECHANICAL :

Rotational Speed :	≤500rpm
Torque:	2 OZ-IN Typ
Material:	Stainless Steel
Temperature Range:	-40° C - +70° C
Connectors:	2.92mm Female
Relative Humidity:	0 ~ 90%

Outline Drawing:

Unit: mm

