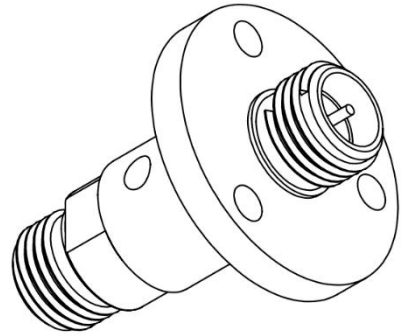


Part No: RJ1-18-004

DC-18GHz, N Female, Single Channel Rotary Joint

ELECTRICAL:

Frequency Range:	DC-18GHz
Insertion Loss:	≤0.15 dB@8.0 GHz ≤0.40 dB@18 GHz
Insertion Loss WOW:	≤0.05dB
Phase WOW:	1°
VSWR:	≤1.15@8.0 GHz ≤1.40@18 GHz
VSWR WOW:	≤0.03
Power:	1000 W CW@1GHz 10 KW Peak



MECHANICAL :

Rotational Speed :	≤ 1000rpm
Life:	≥25000 hours
Material:	Stainless Steel
Torque:	5.6 N.cm
Temperature Range:	-40° C - +70° C
Connectors:	N Female
Relative Humidity:	0 ~ 90%

Outline Drawing:

Unit: mm

