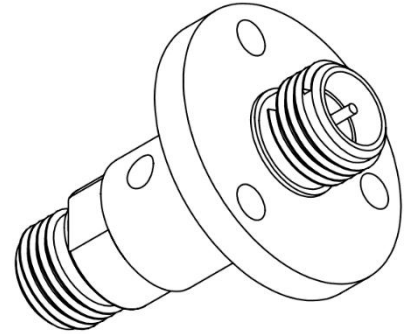


Part No: RJ1-18-002

DC-18GHz, SMA Female, Single Channel Rotary Joint

ELECTRICAL:

Frequency Range:	DC-18GHz
Insertion Loss:	≤0.35 dB@12.4 GHz
	≤0.50 dB@18 GHz
Insertion Loss WOW:	≤0.04dB
Phase WOW:	1°
VSWR:	≤1.25@12.4 GHz
	≤1.35@18 GHz
Power:	30 W CW
	1.5 KW Peak



MECHANICAL :

Rotational Speed :	100rpm
Life:	50 Million
Temperature Range:	-40° C - +70° C
Connectors:	SMA Female
Relative Humidity:	0 ~ 90%

Outline Drawing:

