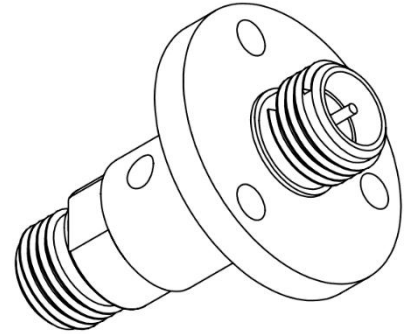


Part No: RJ1-18-000

DC-18GHz, SMA Female, Single Channel Rotary Joint

ELECTRICAL:

Frequency Range: DC-18GHz
 Insertion Loss: ≤ 0.45 dB@18GHz
 Insertion Loss WOW: ≤ 0.1 dB
 Phase WOW: 1.5°
 VSWR: ≤ 1.40 @18GHz
 VSWR Maximum variation : 0.1
 Power: 30 W CW
 3 KW Peak



MECHANICAL :

Rotational Speed : 200rpm
 Life: 10 Million
 Temperature Range: -55° C - $+85^\circ$ C
 Connectors: SMA-Female
 Relative Humidity: 0 ~ 90%

Outline Drawing:

Unit: mm

