

Model: TLLA4.9G5.1G-36-6
Low Noise Amplifier
4.9-5.1GHz, NF:0.6dB, Gain:35dB, P1dB:12dBm
Feature:

- Ultra Wide Band: 4.9-5.1GHz
- Gain: 35dB Min
- Noise Figure: 0.6dB Typ
- Good Power and Gain Flatness
- 50 Ohm Matched Input / Output

Electrical Specifications:

Parameter	Min	Typ	Max	Units
Frequency range	4.9-5.1			GHz
Gain	35	36		dB
Gain Flatness		±1.0		dB
Noise Figure		0.6	0.9	dB
Output P1dB	10	12		dBm
Output Psat		14		dBm
Input VSWR		1.5		:1
Output VSWR		1.5		:1
DC Voltage		15	24	V DC
DC Supply Current		100		mA
Impedance	50			Ohms

Mechanical Specifications:

Parameter	Value	Units
Input /Output Connector	SMA Female/SMA Female	
DC Bias	Solder Pin	
Size	44*36*12	mm
Weight	/	g

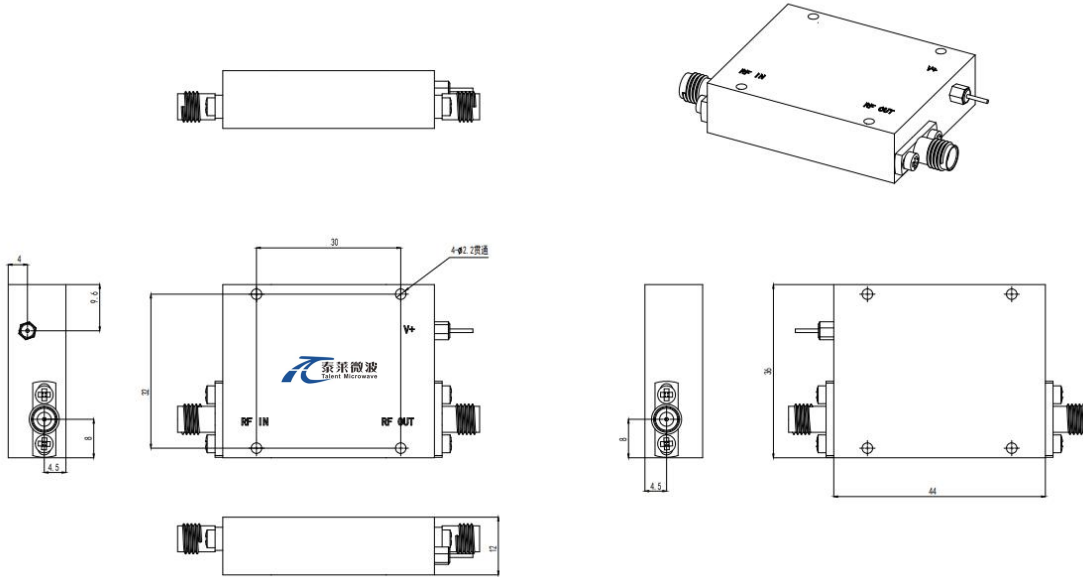
Absolute Maximum Ratings:

Parameter	Value
Supply Bias Voltage	+24 V
RF Input Power	5 dBm
ESD sensitivity (HBm)	Class 0, passed 150V


**Available 220V System
Benchtop Amplifier**

Outline Drawing:

Unit: mm



*****Heat Sink Required During Operation**



OBSERVE PRECAUTIONS
ELECTROSTATIC SENSITIVE
DEVICES

Environmental Conditions:

Parameter	Min	Typ	Max	Units
Operating Temperature	-45		+85	°C
Non-operating Temperature	-55		+125	°C
Relative humidity		95		%
Altitude		10,000		feet
Shock / Vibration(MIL-STD-810F)	25g rms (15 degree 2KHz) endurance, 1 hour per axis			
Shock(non operating)	20G for 11msc half sin wave,3 axis both directions			

Ordering Information:

Part Number	Description	Revision
TLLA4.9G5.1G-36-6	Low Noise Amplifier, 4.9-5.1GHz, Noise Figure:0.6dB, Gain:35 dB,P1dB:12dBm,+15V DC,Without Heatsink	Rev.1.1
TLLA4.9G5.1G-36-6-HS	Low Noise Amplifier, 4.9-5.1GHz, Noise Figure:0.6dB, Gain:35 dB,P1dB:12dBm,+15V DC,With Heatsink	Rev.1.1