

**Model: TLLA2.2G2.3G-46-6**
**Low Noise Amplifier**
**2.2-2.3GHz, NF:0.6dB, Gain:46dB, P1dB:7dBm**
**Feature:**

- Ultra Wide Band: 2.2-2.3GHz
- Gain: 46dB Typ
- Noise Figure: 0.6dB Typ
- Good Power and Gain Flatness
- 50 Ohm Matched Input / Output

**Electrical Specifications:**

Parameter	Min	Typ	Max	Units
Frequency range	2.2-2.3			GHz
Gain	45.5	46		dB
Noise Figure		0.6		dB
Output P1dB	5	7		dBm
Output Psat		8		dBm
Gain Rejection	@DC~2.12GHz	15		dBc
	@2.4~2.5GHz	15		dBc
Input VSWR		1.4		:1
Output VSWR		1.4		:1
DC Voltage	11	12	24	V DC
DC Supply Current		95		mA
Impedance	50			Ohms

**Mechanical Specifications:**

Parameter	Value	Units
Input /Output Connector	N Female/N Female	
DC Bias	SMA Female	
Size	40*45*20	mm
Weight	/	g

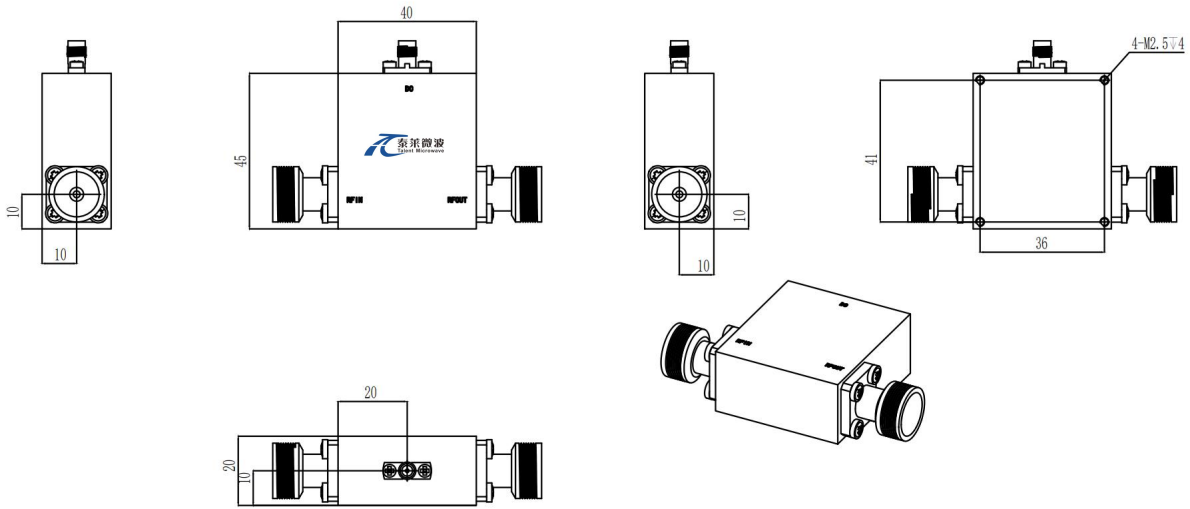
**Absolute Maximum Ratings:**

Parameter	Value
Supply Bias Voltage	+24V
RF Input Power	TBD
ESD sensitivity (HBm)	Class 0, passed 150V


**Available 220V System  
Benchtop Amplifier**

Outline Drawing:

Unit: mm



**\*\*\*Heat Sink Required During Operation**



OBSERVE PRECAUTIONS  
ELECTROSTATIC SENSITIVE  
DEVICES

Environmental Conditions:

Parameter	Min	Typ	Max	Units
Operating Temperature	-45		+85	°C
Non-operating Temperature	-55		+125	°C
Relative humidity		95		%
Altitude		10,000		feet
Shock / Vibration(MIL-STD-810F)	25g rms (15 degree 2KHz) endurance, 1 hour per axis			
Shock(non operating)	20G for 11msc half sin wave,3 axis both directions			

Ordering Information:

Part Number	Description	Revision
TLLA2.2G2.3G-46-6	Low Noise Amplifier, 2.2-2.3GHz, Noise Figure:0.6dB, Gain:46 dB,P1dB:7dBm,+12V DC,Without Heatsink	Rev.1.1
TLLA2.2G2.3G-46-6-HS	Low Noise Amplifier, 2.2-2.3GHz, Noise Figure:0.6dB, Gain:46 dB,P1dB:7dBm,+12V DC,With Heatsink	Rev.1.1