

Model:TLPA3.0G3.5G-68-68-P-BC
**Solid State High Power Amplifier Systems
 3.0-3.5GHz,Gain:68dB,Psat:68 dBm,220V AC**
Feature:

- Wide Band: 3.0-3.5GHz
- Gain: 68dB Min
- Psat Output Power:68dBm Min
- Protection:Over TEM,over voltage, over current ,over VSWR protection.
- 50 Ohm Matched Input / Output

Electrical Specifications:

Parameter	Symbo	Min	Typ	Max	Units
Frequency range	BW	3.0-3.5			GHz
Power Gain@Pout=68dBm	SSGP	68			dB
Gain flatness	Δ GL		± 3		dB
Output Psat	Psat	68			dBm
Spurious@Pout=65dBm	Spur			-60	dBc
Harmonics@Pout=65dBm	HAM			-20	dBc
Modulation Signal Level	TTL	0		5	V
Modulation Frequency	MF	1		100	KHz
Pulse Width	T	0.3		500	us
Duty Cycle	τ	0.1		20	%
Rise/Fall Time	Tr		50	100	ns
Pulse Drop@T=100us	Pdrop		0.5	1	dB
Input VSWR	VSWR		1.5	2	:1
AC Voltage	Vac		220		V AC
Power Consumption	Pdiss	5000			W
Work Mode	MOD	PULSE ONLY			
Input Signal Mode	IPS_MOD	CW/PULSE			
Impedance	I/O-IMP	50			Ohms

Mechanical Specifications:

Parameter	Value	Units
Input /Output Connector	SMA Female/7/16 Din Female	
Forward/Reverse Coupling	SMA Female/SMA Female	
Communication Connector	DB9/RJ-45	
Front Panel LCD Screen Display	7 inch LCD Screen Display	
Pulse Input Connector	BNC Female	

Mechanical Specifications:

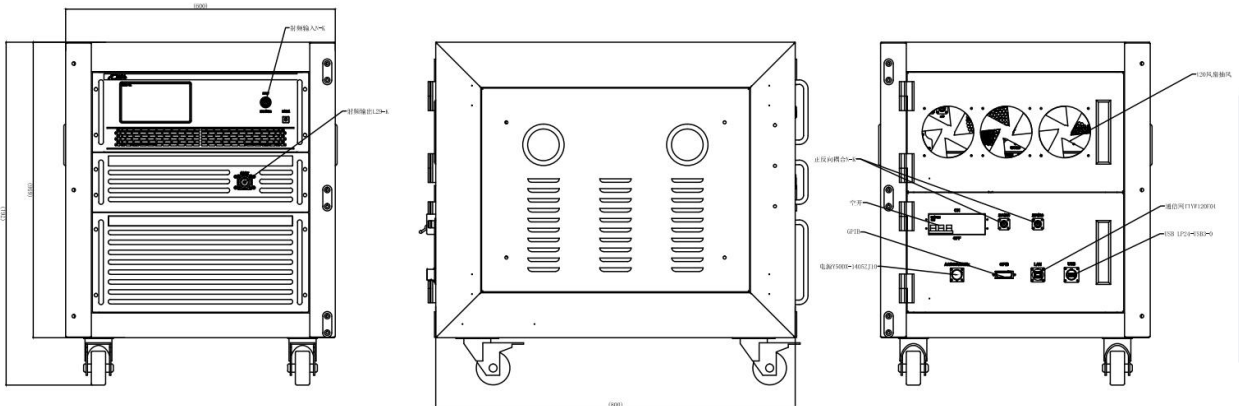
Parameter	Value	Units
Size	19 Inch 12U*800 depth	mm
Weight	≤180	Kg

Absolute Maximum Ratings:

Parameter	Value
RF Input Power	10 dBm
ESD sensitivity (HBm)	Class 0, passed 150V

Outline Drawing:

Unit: mm



Key Features:

Parameter	Advantages
Control functions	1, Power setting On/Off 2, ALC automatic level control
Protection functions	1, Over TEM 2, Over voltage 3, Over current protection 4, Over VSWR
Remote control	RS422/Ethernet
Cooling system	Built in Cooling system, forced air cooling

Environmental Conditions:

Parameter	Min	Typ	Max	Units
Operating Temperature*	-20		+40	°C
Non-operating Temperature*	-30		+50	°C
Relative humidity		95		%
Altitude	10000			feet
Shock / Vibration(MIL-STD- 810F)	25g rms (15 degree 2KHz) endurance, 1 hour per axis			
Shock(non operating)	20G for 11msc half sin wave,3 axis both directions			

*Note: For a wider temperature range, please consult the manufacturer.

Ordering Information:

Part Number	Description	Revision
TLPA3.0G3.5G-68-68-P-BC	Solid State High Power Amplifier Systems 3.0-3.5GHz,Gain:68dB,Psat:68 dBm,220V AC,Built in Fan Cooling	Rev.1.0