

Model: TMPA-140200-1616-05
Power Amplifier
140-200GHz, Gain:16 dB, Psat:16 dBm
Feature:

- Frequency Range: 140-200GHz
- Gain:16 dB Type
- Output Power Psat:16 dBm Type
- Good Power and Gain Flatness

Electrical Specifications:

Parameter	Min	Typ	Max	Units
Frequency range	140-200			GHz
Small Signal Gain		16		dB
Output Psat		16		dBm
Input VSWR		2.2		:1
Output VSWR		2.1		:1
DC Voltage		12		V DC
DC Supply Current		440		mA

Mechanical Specifications:

Parameter	Value	Units
Input /Output Connector	WR-5/UG-387/U	
DC Bias	Solder Pin	
Size	39*30*23	mm
Weight	/	g

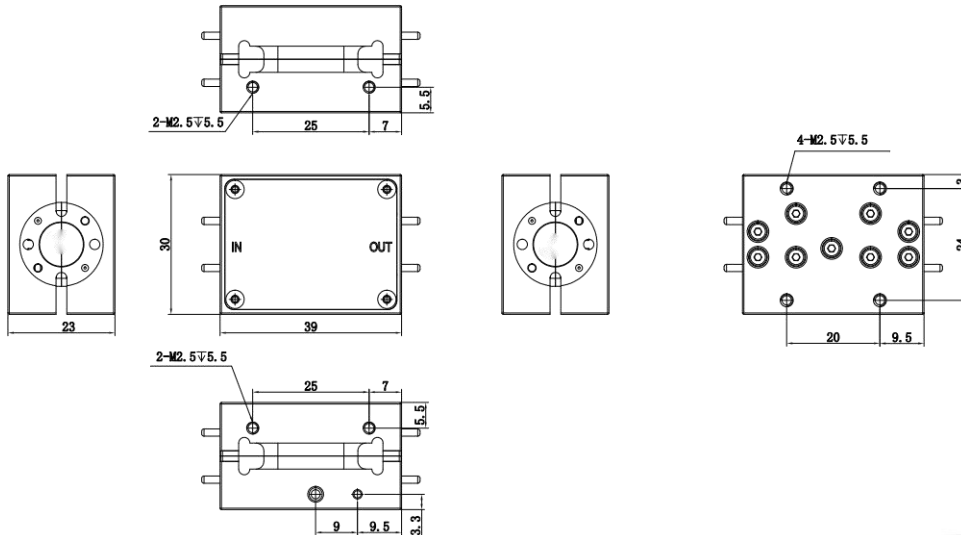
Absolute Maximum Ratings:

Parameter	Value
Supply Bias Voltage	+15V
RF Input Power	TBD
ESD sensitivity (HBm)	Class 0, passed 150V


**Available 220V System
 Benchtop Amplifier**

Outline Drawing:

Unit: mm



Environmental Conditions:



OBSERVE PRECAUTIONS
ELECTROSTATIC SENSITIVE
DEVICES

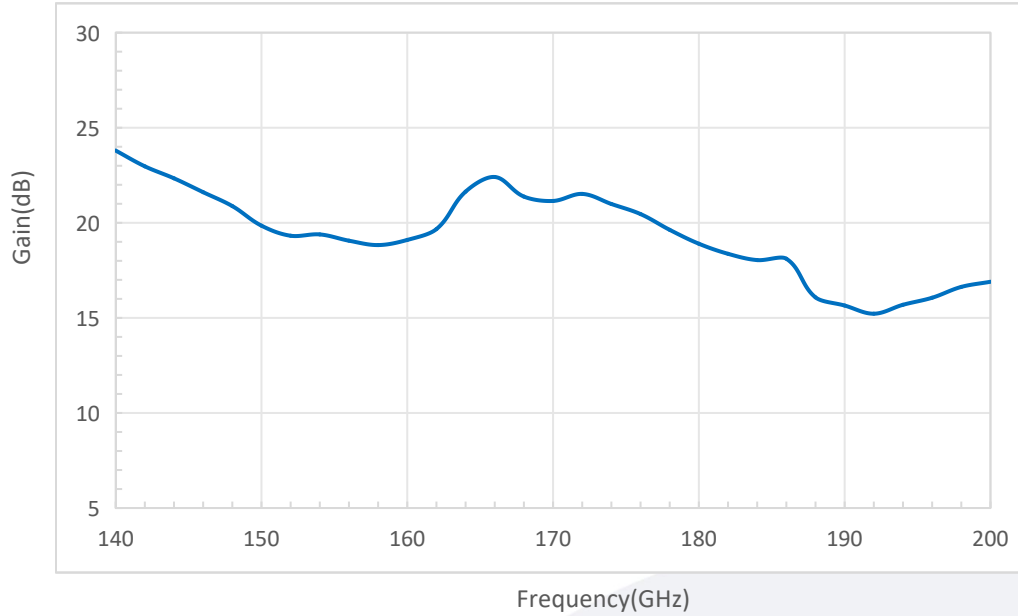
Parameter	Min	Typ	Max	Units
Operating Temperature	-10		+65	°C
Non-operating Temperature	-55		+125	°C
Relative humidity		95		%
Altitude	50,000			feet
Shock / Vibration(MIL-STD-810F)	25g rms (15 degree 2KHz) endurance, 1 hour per axis			
Shock(non operating)	20G for 11msc half sin wave,3 axis both directions			

Ordering Information:

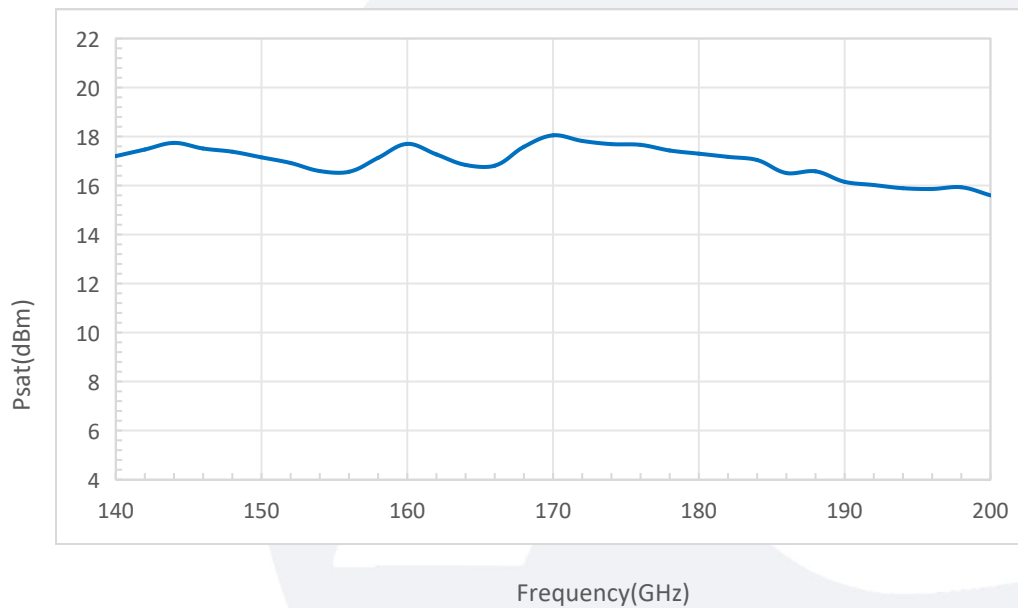
Part Number	Description	Revision
TMPA-140200-1616-05	Power Amplifier, 140-200 GHz, Gain:16 dB Type, Psat:16 dBm Type, 12V DC,WR-5	Rev.1.1

Typical Performance Data:

Gain vs Frequency



Psat vs Frequency



Note: Above data is for ref only, actual data may vary from unit to unit depending on operating environment and other factors like material lots etc.