

型号 Part No.: TAXXA30-2.92-40C

2.92mm Attenuators • Male to Female • DC-40 GHz • 30W

电气特性 Electrical Specifications:

Attenuation Range: 10.....-1.8/+2.0 dB
 20.....-1.2/+1.5 dB
 30.....-1.2/+1.5 dB
 40.....-1.2/+1.5 dB

VSWR: DC-40 GHz.....1.3:1

Impedance: 50 OHMS

RF Power Rating: 30 Watts Average at 25°C; 2 Watts at 125°C
 PEAK: 200 Watts

(5 μSec Pulse Width , 10% Duty Cycle)

Working time: Within 5 minutes without cooling and fans; make sure the wind flow >15CFM when work long time.

机械特性 Mechanical Specifications:

Temperature Range: -55°C~+125°C

Connectors: Passivated Stainless Steel or Brass, Gold Plated

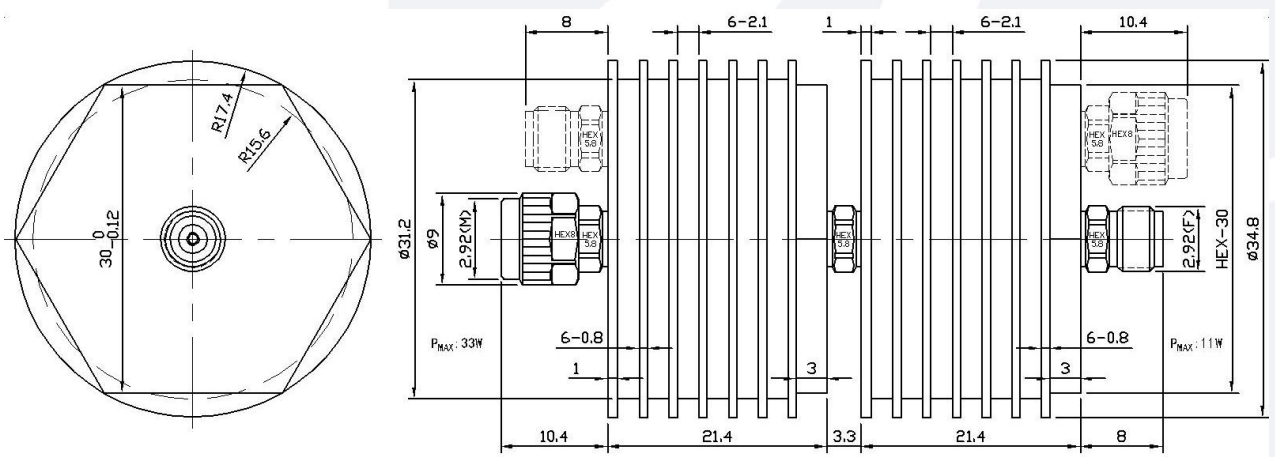
Connectors Pins: Beryllium Copper, Gold Plated

Body: Black, Finned Aluminum

Insulators: PTFE, Virgin Electrical Grade

外形尺寸 Outline Drawing:

Unit: mm



订货信息 Ordering Information:

Model Number: TAXXA30-2.92-40C
└───┬─── dB Value