

型号 Part No.: TAXXA20-2.92-40

2.92mm Attenuators • Male to Female • DC-40 GHz • 20W

电气特性 Electrical Specifications:

Frequency Range:	DC-40 GHz
Attenuation Range:	3-10.....-1.5/+1.5 dB
	20.....-1.5/+1.5 dB
	30.....-1.5/+1.5 dB
	40.....-1.5/+2.0 dB
VSWR:	DC-40 GHz.....1.3:1
Impedance:	50 OHMS
RF Power Rating:	20 Watts Average at 25°C; 2 Watts at 125°C
	PEAK: 200 Watts
	(5 μSec Pulse Width , 10% Duty Cycle)

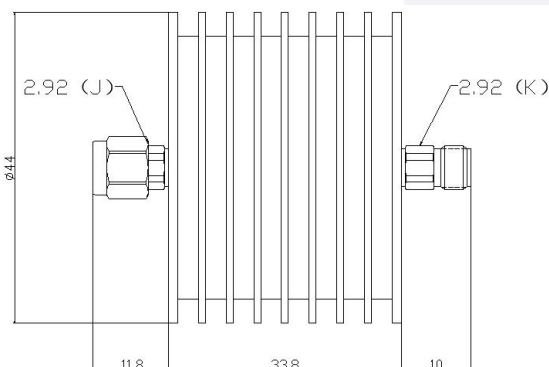
机械特性 Mechanical Specifications:

Temperature Range:	-55°C~+125°C
Connectors:	Passivated Stainless Steel
Connectors Pins:	Beryllium Copper, Gold Plated
Body:	Black, Finned Aluminum
Insulators:	PEI

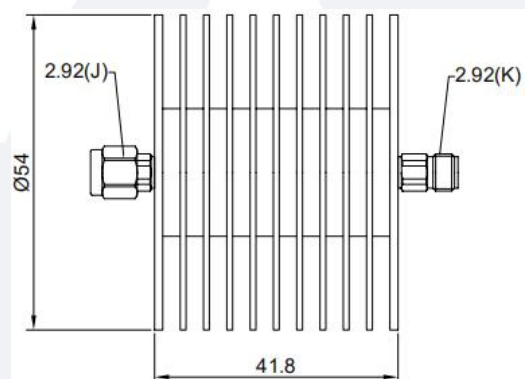
外形尺寸 Outline Drawing:

Unit: mm

3-30db Outline dimensions



40db Outline dimensions

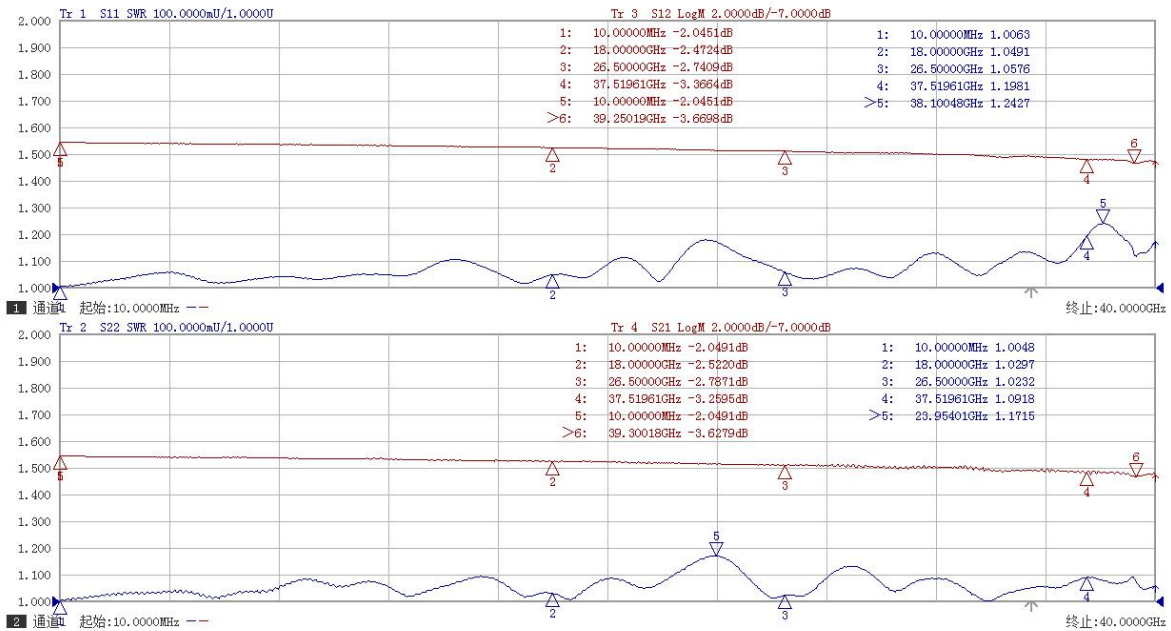


订货信息 Ordering Information:

Model Number: TAXXA20-2.92-40
dB Value

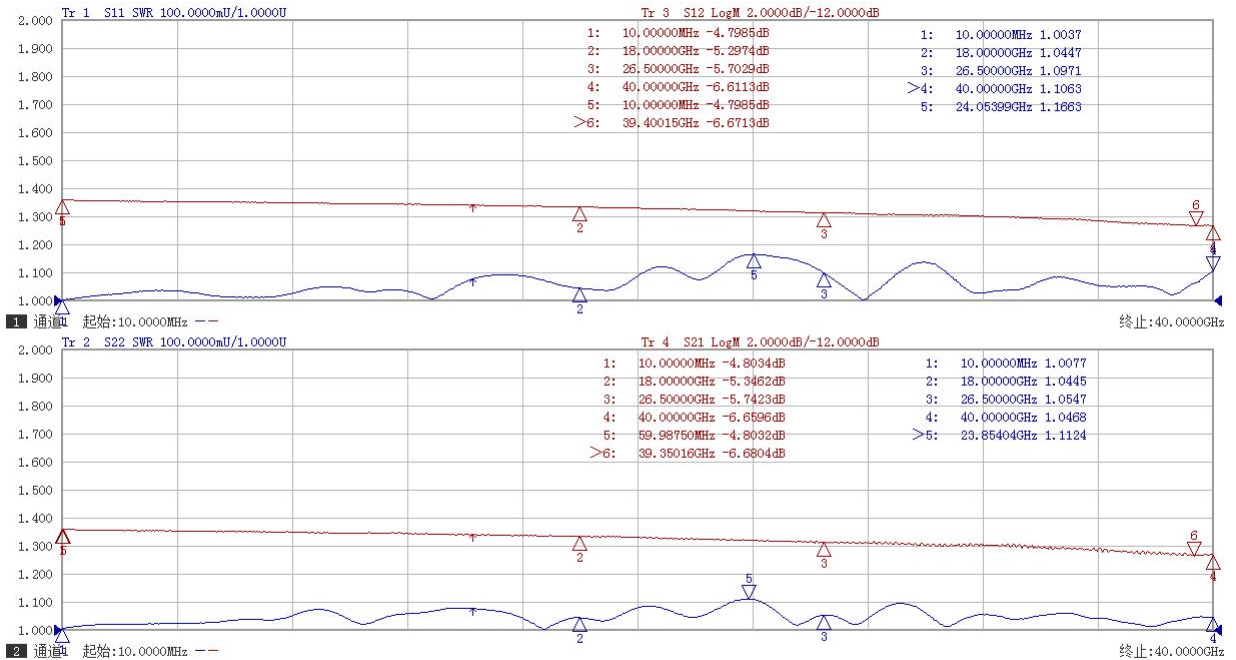
典型曲线 Typical Performance Data:

TA03A20-2.92-40



典型曲线 Typical Performance Data:

TA06A20-2.92-40



TA20A20-2.92-40

