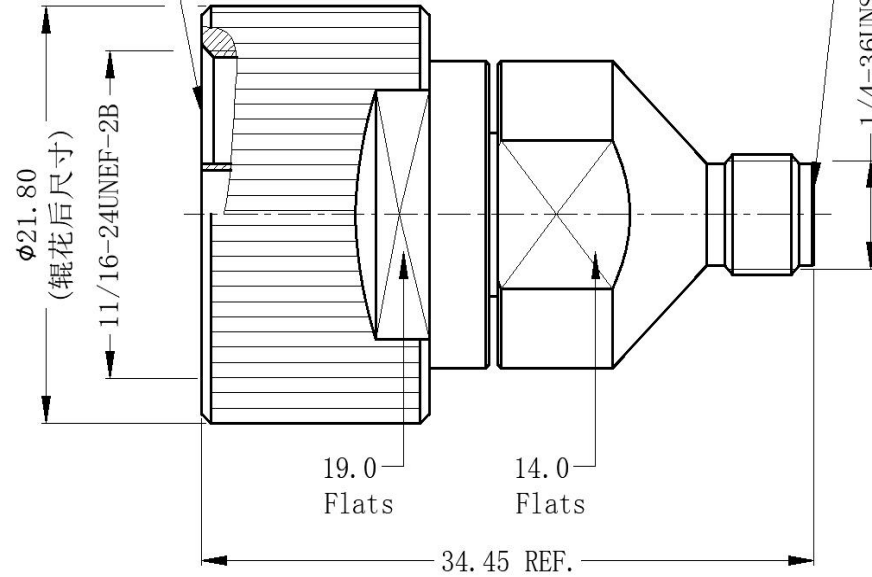


NMD2.92mm Female

2.92mm Female



Electrical & Environmental Characteristics

Impedance	50 Ohm
Insulation Resistance	5000 MΩ
Operating Frequency	DC~40GHz
Dielectric Withstanding Voltage	1000V
VSWR	≤1.20
Insertion Loss	≤0.50dB
Operating Temperature	- 55~+125℃

Material & Coat-Plating

Inner Conductor	BE-CU, Gold Plated
Dielectric	PEI
Body	Stainless steel, Passivation
Nut	Stainless steel, Passivation

THIS DRAWING IS A CONTROLLED DOCUMENT		DWN	Suzhou Talent Microwave, Inc		
		CHK			
Unit mm	TOLERANCES UNLESS OTHERWISE SPECIFIED 0 PLC ±0.25 1 PLC ±0.15 2 PLC ±0.12 3 PLC ± 3 PLC ± ANGLES ±1°	APVD	Product Model NMD2.92/2.92-KK NMD 2.92 Female to 2.92 Female adaptor		
		PRODUCT SPEC			
		APPLICATION SPEC	SIZE A4	GAGE CODE 0T8L4	DRAWING NO
MATERIAL SEE TABLE	FINISH SEE TABLE	WEIGHT	CUSTOMER DRAWING		
					SHEET 1 OF 1 RVE 1