

Model: TLSP6T0.5G40GA
**Absorption, Broadband PIN Switch
 0.5-40 GHz, SP6T, 2.92mm Female**
Feature:

- Ultra Wide Band: 0.5-40 GHz
- Low Insertion Loss: 6.5 dB Typ
- Power Handling : 25 dBm
- High Isolation
- Switch Type: Absorption

Electrical Specifications:

Parameter	Min	Typ	Max	Units
Frequency range	0.5-40			GHz
Insertion Loss		6.5	8	dB
Isolation	50	55		dB
Switch Speed		50	100	ns
Input VSWR		2.5	3	:1
Output VSWR		2.5	3	:1
Power Handling			27	dBm
DC Supply Current		+5		V DC
DC Supply Current		300		mA
Control Logic TTL	0"=Low ; "1"=High			
Impedance	50			Ohms

Mechanical Specifications:

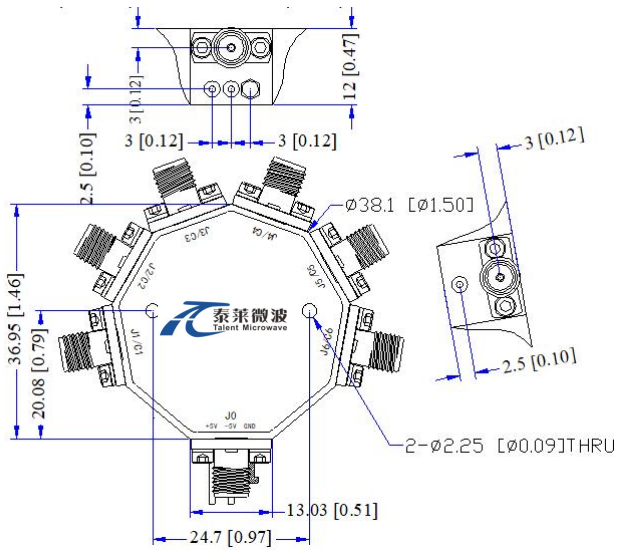
Parameter	Value	Units
Input /Output Connector	2.92mm Female/2.92mm Female	
Control Bias	-	
Size	-	mm
Weight	TBD	g

Absolute Maximum Ratings:

Parameter	Value
Supply Bias Voltage	±5%
RF Input Power	25 dBm
ESD sensitivity (HBm)	Class 0, passed 150V

Outline Drawing:

Unit: mm



Truth Table					
TTL Control Input					Signal Path State
C1	C2	C3	C4	C5	
0	1	0	0	0	J0-J1
0	0	1	0	0	J0-J2
0	1	1	0	0	J0-J3
1	0	0	1	0	J0-J4
1	0	0	0	1	J0-J5
1	0	0	1	1	J0-J6

TTL Control Voltages & VDD	
Stage	Bias Condition
Low (0)	0 to 0.8Vdc
High (1)	2.0 to +5.0Vdc

Environmental Conditions:



Parameter	Min	Typ	Max	Units
Operating Temperature	-40		+85	°C
Non-operating Temperature	-55		+125	°C
Relative humidity		95		%
Altitude	50,000			feet
Shock / Vibration(MIL-STD-810F)	25g rms (15 degree 2KHz) endurance, 1 hour per axis			
Shock(non operating)	20G for 11msc half sin wave,3 axis both directions			

Ordering Information:

Part Number	Description	Revision
TLSP6T0.5G40GA	Absorption, Broadband PIN Switch 0.5-40 GHz, SP6T, 2.92mm	Rev.1.1