

Model: TLLA0.1G50G-22-45

Low Noise Amplifier 0.1-50GHz, NF:4.5dB, Gain:22dB, P1dB:10dBm

Feature:

- Ultra Wide Band: 0.1-50GHz
- Gain: 22dB Typ
- Noise Figure: 4.5dB Typ
- Good Power and Gain Flatness
- 50 Ohm Matched Input / Output

Electrical Specifications:

Parameter	Min	Typ	Max	Units
Frequency range	0.1-50			GHz
Gain	20	22		dB
Gain Flatness		±2.5		dB
Noise Figure		4.5	7	dB
Output P1dB	8	10		dBm
Output Psat		12		dBm
Input VSWR		1.8	2.5	:1
Output VSWR		1.8	2.5	:1
DC Voltage	5	8	12	V DC
DC Supply Current		160		mA
Impedance	50			Ohms

Mechanical Specifications:

Parameter	Value	Units
Input /Output Connector	2.4mm Female/2.4mm Female	
DC Bias	Solder Pin	
Shell Material	Copper	
Finish	Gold Plated	
Size	35*40*12	mm
Weight	/	g

Absolute Maximum Ratings:

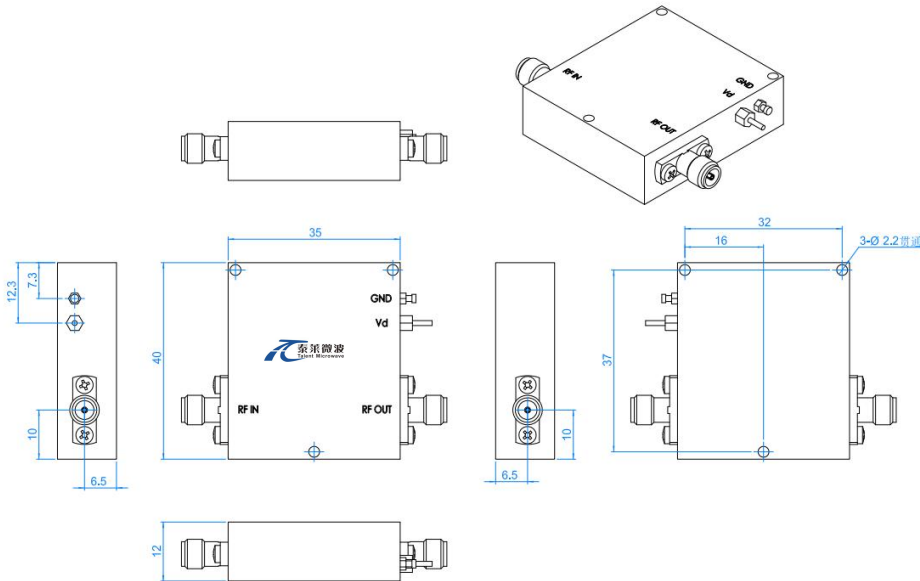
Parameter	Value
Supply Bias Voltage	+12V
RF Input Power	5 dBm
ESD sensitivity (HBm)	Class 0, passed 150V



Available 220V System
Benchtop Amplifier

Outline Drawing:

Unit: mm



*****Heat Sink Required During Operation**



OBSERVE PRECAUTIONS
ELECTROSTATIC SENSITIVE
DEVICES

Environmental Conditions:

Parameter	Min	Typ	Max	Units
Operating Temperature	-45		+85	°C
Non-operating Temperature	-55		+125	°C
Relative humidity		95		%
Altitude		10,000		feet
Shock / Vibration(MIL-STD-810F)	25g rms (15 degree 2KHz) endurance, 1 hour per axis			
Shock(non operating)	20G for 11msc half sin wave,3 axis both directions			

Ordering Information:

Part Number	Description	Revision
TLLA0.1G50G-22-45	Low Noise Amplifier, 0.1-50GHz, Noise Figure:4.5dB, Gain:22 dB,P1dB:10dBm,+8V DC,Without Heatsink	Rev.1.1
TLLA0.1G50G-22-45-HS	Low Noise Amplifier, 0.1-50GHz, Noise Figure:4.5dB, Gain:22 dB,P1dB:10dBm,+8V DC,With Heatsink	Rev.1.1