

**Part No.: RS4W60400-K**

**Power Divider/Combiner 4 Way 2.92 50Ω 6-40 GHz**

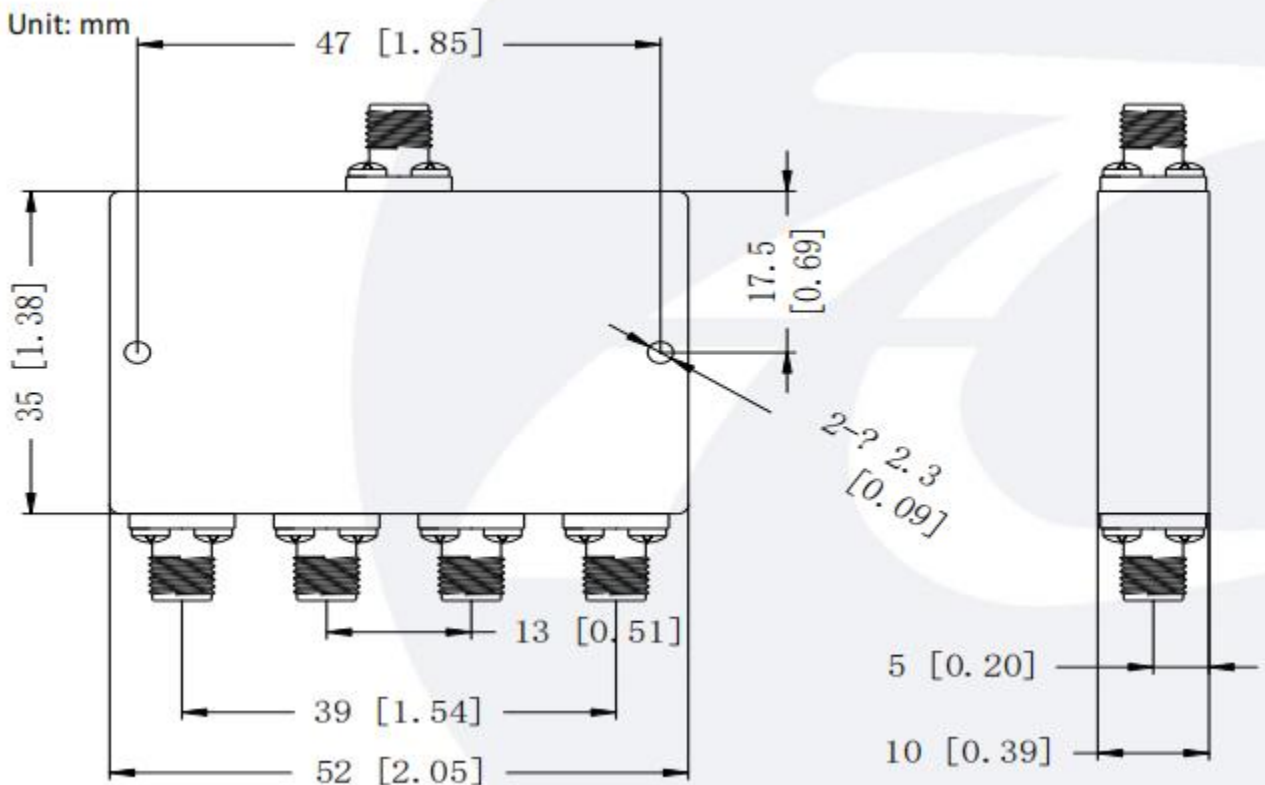
**电气特性 Electrical:**

工作频率 Frequency Range: 6-40 GHz  
 插入损耗 Insertion Loss:  $\leq 1.5\text{dB}$   
 驻波 VSWR:  $\leq 2.0/1.6: 1$   
 隔离 Isolation:  $\geq 16\text{dB}$   
 幅度平衡 Amplitude Balance:  $\leq \pm 0.5\text{dB}$   
 相位平衡 Phase Balance:  $\leq \pm 4^\circ$   
 耐功率 Power Handling: 20 Watt  
 方向功率 Reverse Power : 2 Watt  
 阻抗 Impedance: 50 OHMS

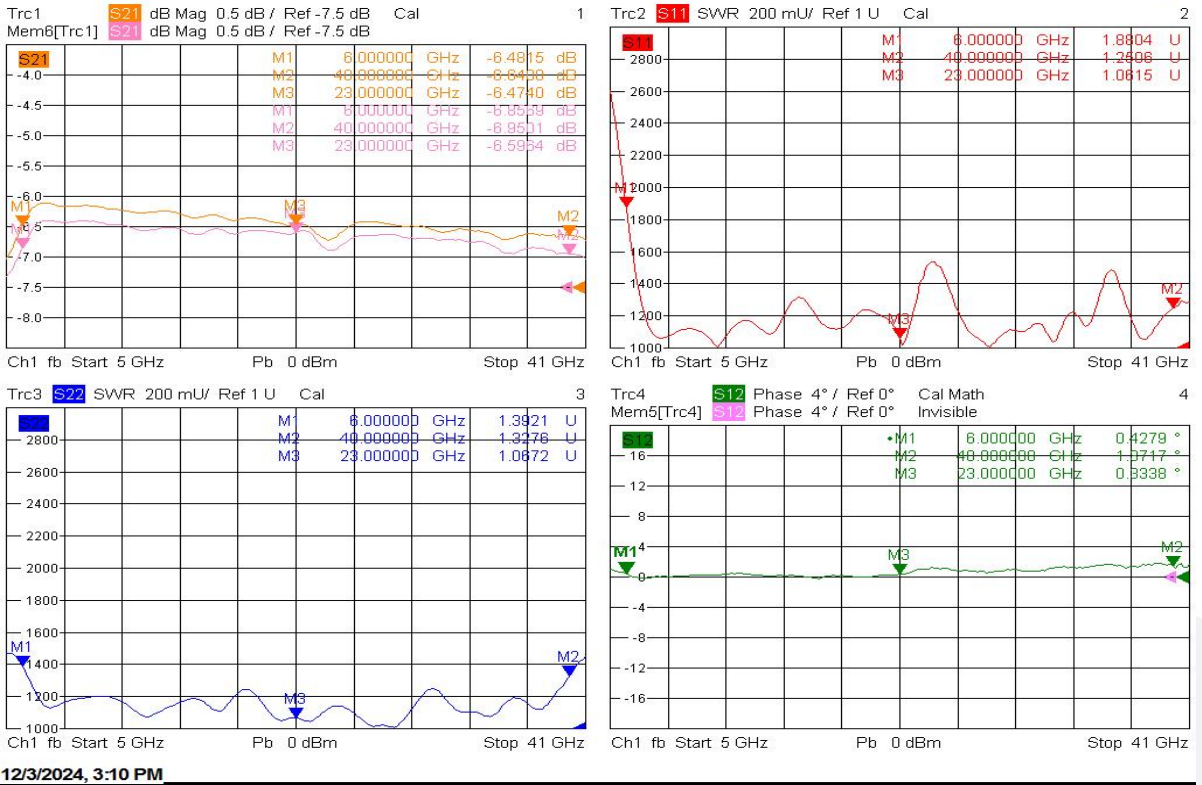
**机械特性 Mechanical:**

温度范围 Temperature Range:  $-55^\circ\text{C} - +85^\circ\text{C}$   
 接口 Connectors: 2.92-Female  
 相对湿度 Relative Humidity: 0 ~ 90%

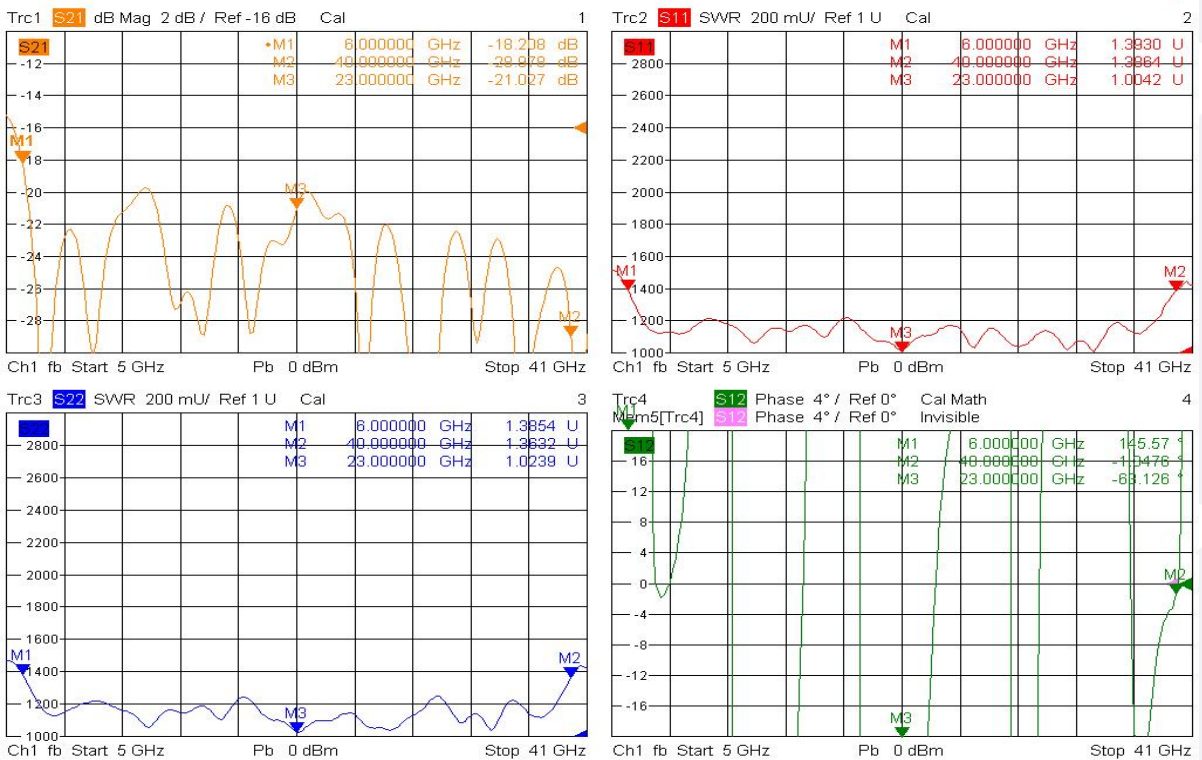
**外形尺寸 Outline Drawing:**



典型曲线 Typical Performance Data:



12/3/2024, 3:10 PM



12/3/2024, 3:11 PM