

**Model: TMPA-075110-3020-10**
**Power Amplifier**  
**75-110 GHz, Gain:30 dB,Psat:20 dBm**
**Feature:**

- Frequency Range:75-110 GHz
- Gain:30 dB Min
- Output Power Psat:20 dBm Min
- Good Power and Gain Flatness

**Electrical Specifications:**

Parameter	Min	Typ	Max	Units
Frequency range	75-110			GHz
Gain	30	31		dB
Output Psat	20	21		dBm
Input VSWR		1.6		:1
Output VSWR		2.0		:1
DC Voltage		12		V DC
DC Supply Current		600		mA

**Mechanical Specifications:**

Parameter	Value	Units
Input /Output Connector	WR-10/UG-387/U	
DC Bias	Solder Pin	
Size	50*50*20(With Heatsink)	mm
Weight	/	g

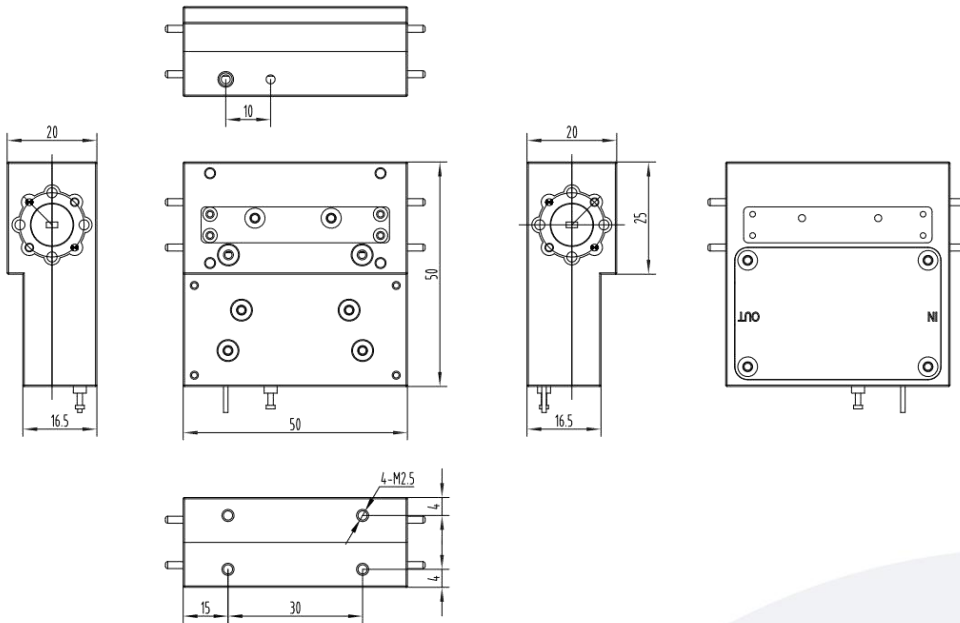
**Absolute Maximum Ratings:**

Parameter	Value
Supply Bias Voltage	+15V
RF Input Power	TBD
ESD sensitivity (HBm)	Class 0, passed 150V


 Available 220V System  
 Benchtop Amplifier

**Outline Drawing:**

Unit: mm



**Environmental Conditions:**



OBSERVE PRECAUTIONS  
ELECTROSTATIC SENSITIVE  
DEVICES

Parameter	Min	Typ	Max	Units
Operating Temperature	-10		+65	°C
Non-operating Temperature	-55		+125	°C
Relative humidity		95		%
Altitude	50,000			feet
Shock / Vibration(MIL-STD-810F)	25g rms (15 degree 2KHz) endurance, 1 hour per axis			
Shock(non operating)	20G for 11msc half sin wave,3 axis both directions			

**Ordering Information:**

Part Number	Description	Revision
TMPA-075110-3020-10	Power Amplifier,75-110 GHz, Gain:30 dB Min,Psat:20 dBm Min, 12V DC,WR-10	Rev.1.1