

Part No :TT2-67-1.85

DC-67GHz,2W,1.85mm Male Coaxial Fixed Terminations

Electrical Specifications:

Frequency Range:	DC-67GHz
VSWR:	≤1.4
RF Power Handling:	≤2Watts
Impedance:	50 Ohms

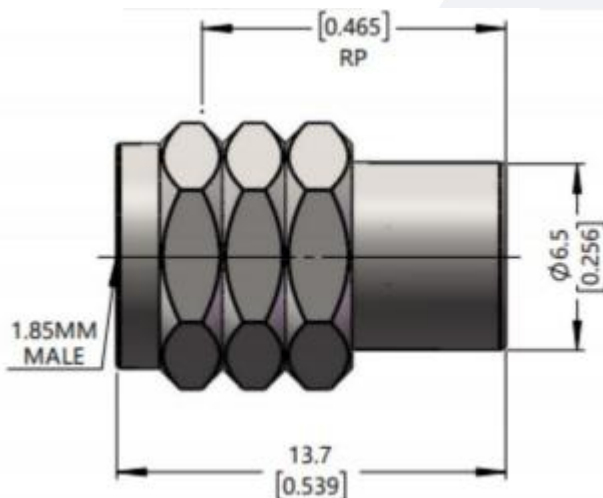
Mechanical Specifications:

Operation Temperature:	-55°C - +125°C
Storage Temperature:	-55°C - +125°C
Body Material:	Stainless Steel 303
Center Conductor:	Becu, Golden
Connectors:	1.85mm Male
Relative Humidity:	≤90%



Outline Drawing:

Unit: mm



Ordering Information:

Part Number	Description
TT2-67-1.85	DC-67GHz,2W,1.85mm Male Coaxial Fixed Termination

Typical Performance Data:

Input VSWR vs Frequency

