

Model: TMPA-050075-3518-15
Power Amplifier
50-75GHz, Gain:35 dB,Psat:20 dBm
Feature:

- Frequency Range:50-75 GHz
- Gain:35dB Typ
- Output Power Psat:20dBm Typ
- Good Power and Gain Flatness

Electrical Specifications:

Parameter	Min	Typ	Max	Units
Frequency range	50-75			GHz
Small Signal Gain		34		dB
Output Psat		20		dBm
Input VSWR		2.2		:1
Output VSWR		2		:1
DC Voltage		+12		V DC
DC Supply Current		600		mA

Mechanical Specifications:

Parameter	Value	Units
Input /Output Connector	WR-15/UG-385/U	
DC Bias	Solder Pin	
Size	45*30*23	mm
Weight	/	g

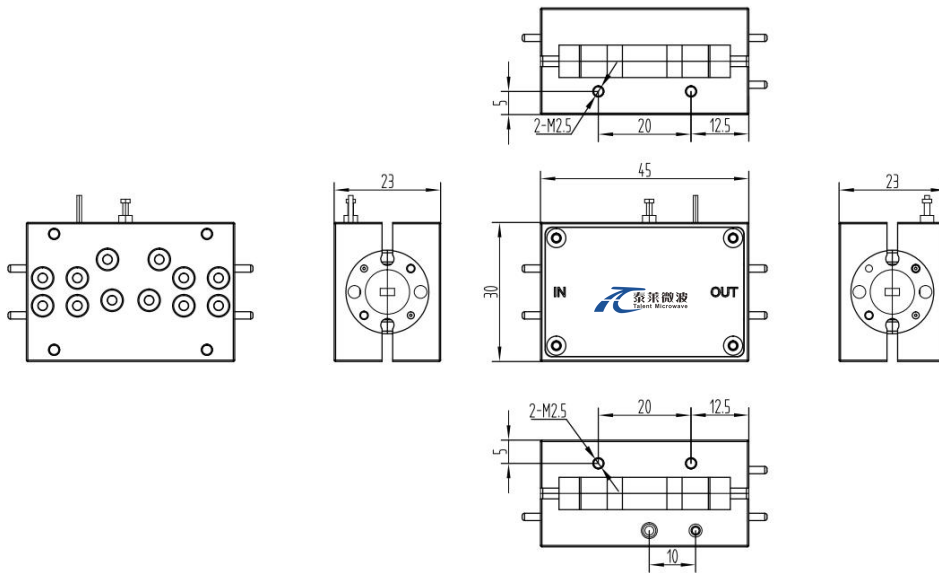
Absolute Maximum Ratings:

Parameter	Value
Supply Bias Voltage	+15V
RF Input Power	10 dBm
ESD sensitivity (HBm)	Class 0, passed 150V


**Available 220V System
 Benchtop Amplifier**

Outline Drawing:

Unit: mm



Environmental Conditions:

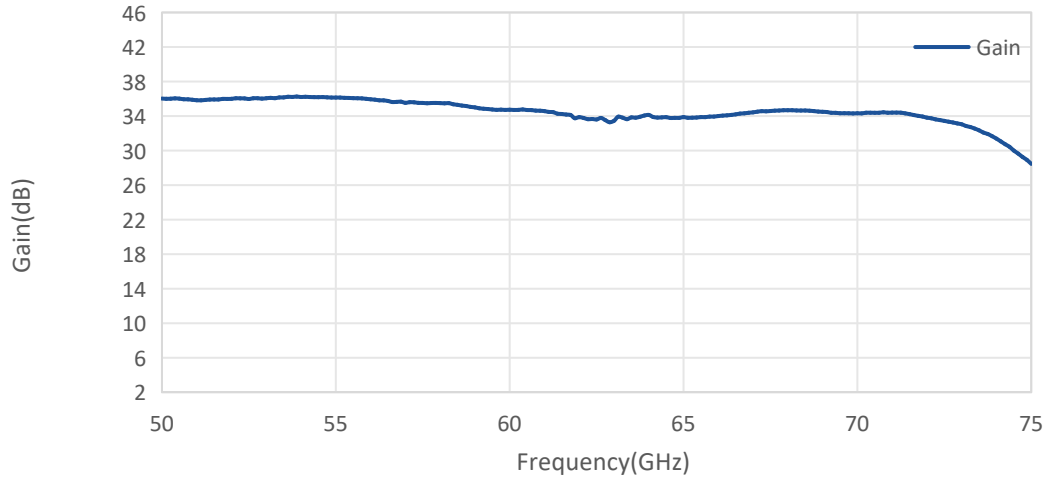
Parameter	Min	Typ	Max	Units
Operating Temperature	0		+65	°C
Non-operating Temperature	-55		+125	°C
Relative humidity		95		%
Altitude	50,000			feet
Shock / Vibration(MIL-STD-810F)	25g rms (15 degree 2KHz) endurance, 1 hour per axis			
Shock(non operating)	20G for 11msc half sin wave,3 axis both directions			

Ordering Information:

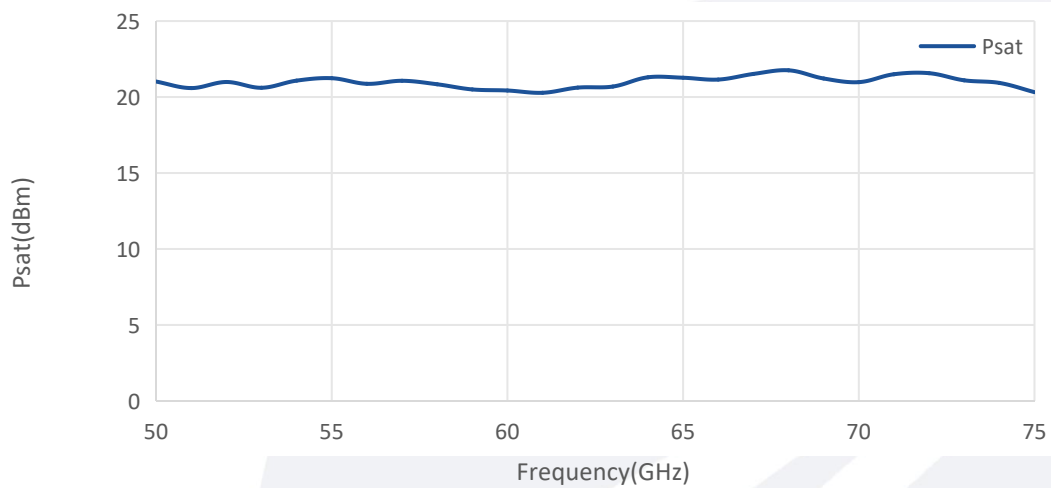
Part Number	Description	Revision
TMPA-050075-3518-15	Power Amplifier,50-75 GHz, Gain:35dB Typ,Psat:20dBm Typ,+12V DC,WR-15	Rev.1.1

Typical Performance Data:

Gain vs Frequency



Psat vs Frequency



Note: Above data is for ref only, actual data may vary from unit to unit depending on operating environment and other factors like material lots etc.