

Model: TMLA-050075-3840-15
Low Noise Amplifier
50-75GHz, NF:4.0 dB, Gain:38 dB
Feature:

- Ultra Wide Band: 50-75 GHz
- Gain: 38dB Typ
- Noise Figure: 4.0dB Typ
- Unconditional stability

Electrical Specifications:

Parameter	Min	Typ	Max	Units
Frequency range	50		75	GHz
Gain		38		dB
Noise Figure		4.0		dB
Output P1dB		12		dBm
Input VSWR		2		:1
Output VSWR		2		:1
DC Voltage		12		V DC
DC power supply		150		mA

Mechanical Specifications:

Parameter	Value	Units
Input Connector	WR-15/ UG-385/U	
Output Connector	WR-15/ UG-385/U	
Power Supply Pin	Solder Pin	
Size	45*30*23	mm

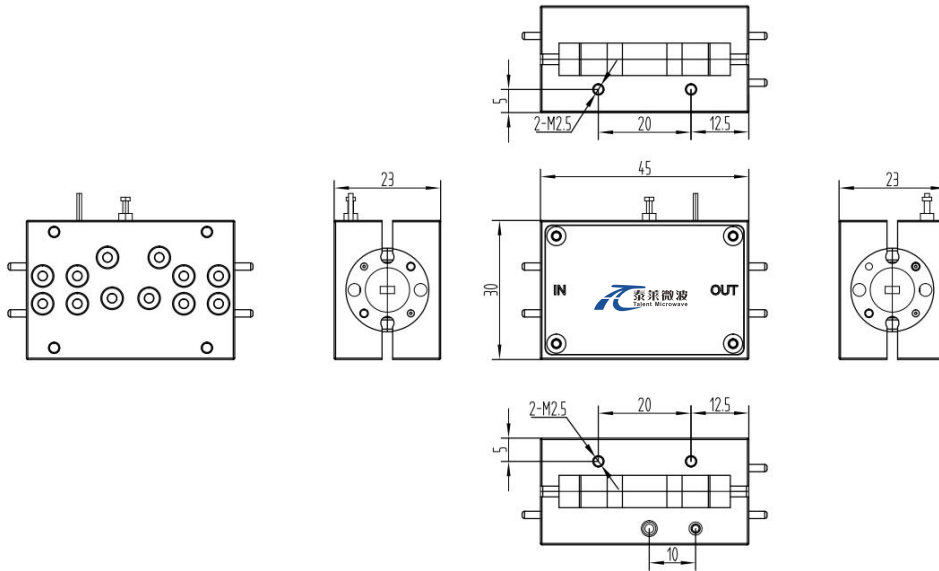
Absolute Maximum Ratings:

Parameter	Value
Supply Bias Voltage	+15V
RF Input Power	10 dBm
ESD sensitivity (HBm)	Class 0, passed 150V


Available 220V System
Benchtop Amplifier

Outline Drawing:

Unit: mm



OBSERVE PRECAUTIONS
ELECTROSTATIC SENSITIVE
DEVICES

Environmental Conditions:

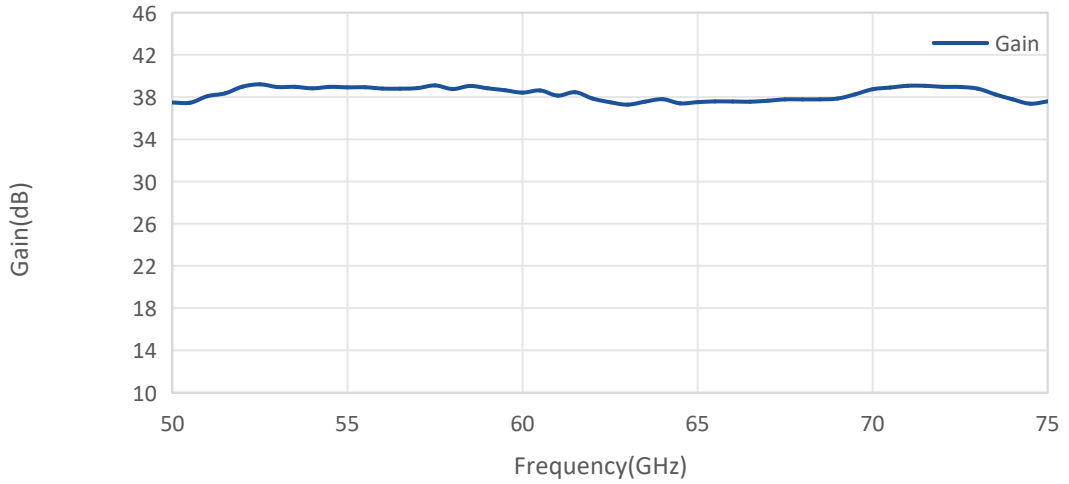
Parameter	Min	Typ	Max	Units
Operating Temperature	-55		+85	°C
Non-operating Temperature	-45		+125	°C
Relative humidity		95		%
Altitude	50,000			feet
Shock / Vibration(MIL-STD-810F)	25g rms (15 degree 2KHz) endurance, 1 hour per axis			
Shock(non operating)	20G for 11msc half sin wave,3 axis both directions			

Ordering Information:

Part Number	Description	Revision
TMLA-050075-3840-15	Low Noise Amplifier,50-75GHz, Noise Figure:4.0dB, Gain:38dB,+12V DC,WR-15	Rev.1.1

Typical Performance Data:

Gain vs Frequency



Note: Above data is for ref only, actual data may vary from unit to unit depending on operating environment and other factors like material lots etc.