

Model:TLPA2M2G-60-49-BC
**Solid State High Power Amplifier Systems
 2MHz-2GHz,Gain:60dB,Psat:49 dBm,220V AC**
Feature:

- Band1: 2MHz-500MHz
- Band2: 500MHz-2GHz
- Gain: 60dB Min
- Psat Output Power:49dBm Min
- 50 Ohm Matched Input / Output

Electrical Specifications:

Parameter	Symbo	Min	Typ	Max	Units
Frequency range1	BW1	2-500			MHz
Frequency range2	BW2	500-2000			MHz
Gain	GP	60	65		dB
Gain flatness	Δ GL		\pm 3	\pm 4	dB
Output Psat	Psat	49	50		dBm
Output P1dB	P1dB		47		dBm
Spurious	Spur			-60	dBc
Harmonics	HAM			-10	dBc
Gain Adjust Range	Δ GR		30		dB
Input VSWR	VSWRin		1.5	2.0	:1
AC Voltage	Vac	110	220		V AC
AC Supply Current	Iac	3A@220V AC			A
Impedance	I/O-IMP	50			Ohms

Mechanical Specifications:

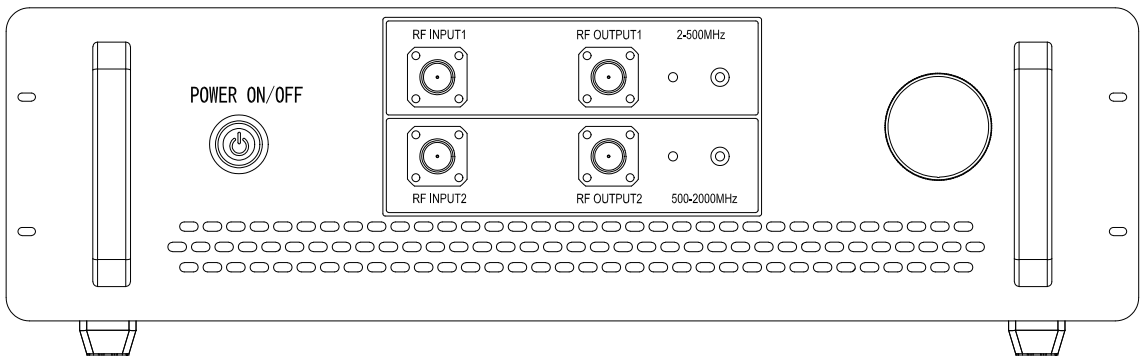
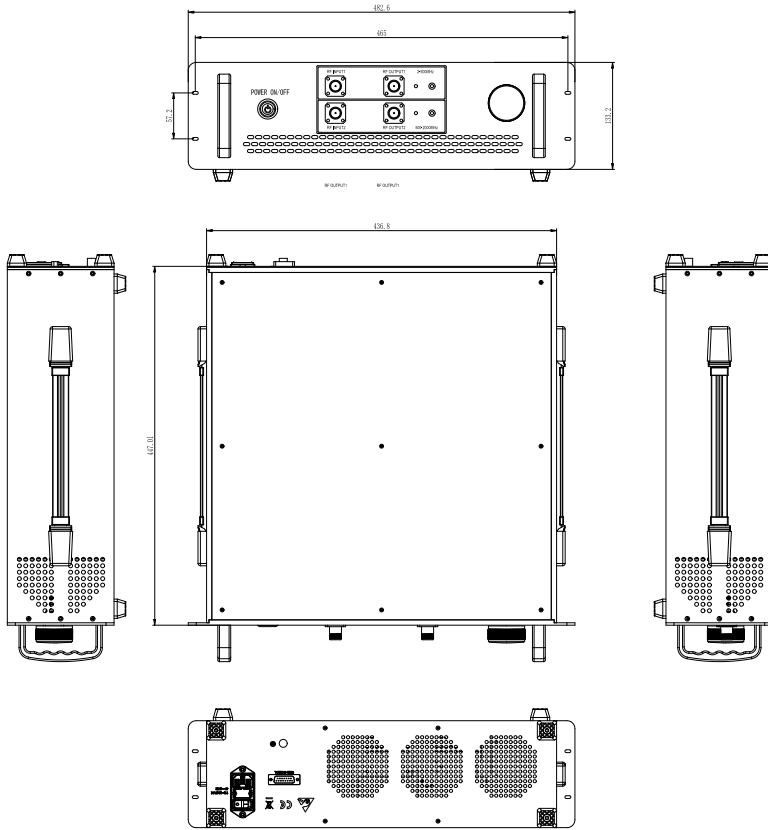
Parameter	Value	Units
Input /Output Connector	N Female/N Female	
Size	3U*500 depth	mm
Weight	27	Kg

Absolute Maximum Ratings:

Parameter	Value
RF Input Power	5 dBm
ESD sensitivity (HBm)	Class 0, passed 150V

Outline Drawing:

Unit: mm



Environmental Conditions:

Parameter	Min	Typ	Max	Units
Operating Temperature	-40		+50	°C
Non-operating Temperature	-55		+125	°C
Relative humidity		95		%
Altitude	50000			feet
Shock / Vibration(MIL-STD- 810F)	25g rms (15 degree 2KHz) endurance, 1 hour per axis			
Shock(non operating)	20G for 11msc half sin wave,3 axis both directions			

Ordering Information:

Part Number	Description	Revision
TLPA2M2G-60-49-BC	Solid State High Power Amplifier Systems 2MHz-2GHz, Gain:60dB, Psat:49 dBm, 220V AC, Built in Fan Cooling	Rev.1.0