

Flexible Low Loss Phase Stable Flexible Sable Assemblies

S1/N Male /SMA Male/DC-18 GHz

Model: S1-NMSMAM-L



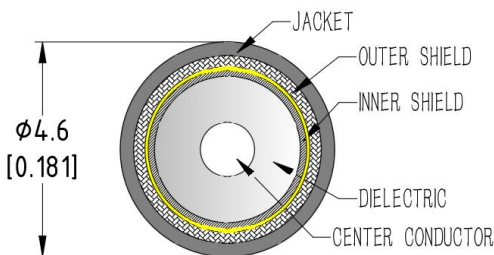
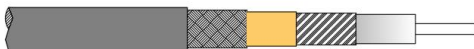
Features:

- Max Frequency 18 GHz
- VSWR max of 1.30
- Velocity of Propagation of 76%

Applications:

- Test & Measurement equipment
- Manufacturing lab
- WAN system equipment

Cable Cross Section:



Electrical Characteristics:

Parameter	Min	Typ	Max	Units
Frequency Range	DC		18	GHz
VSWR		1.25	1.3	:1
Velocity of propagation		76%		
Shielding Effectiveness	90			dB
Capacitance			87.7	pF/m
Phase Stability Vs. Flexure@18GHz		±3		°
Amplitude Stability Vs. Flexure@18GHz		±0.03		dB
Phase Stability Vs. Temperature		1000		PPM

Environmental And Physical Characteristics:

Description	Parameter	Units
Cable Diameter	4.6	mm
Cable Jacket	FEP	
Min. Bending Radius	23	mm
Typical Flex life	50000	
Operating Temperature	-55 to +165	°C
Storage Temperature	-55 to +200	°C

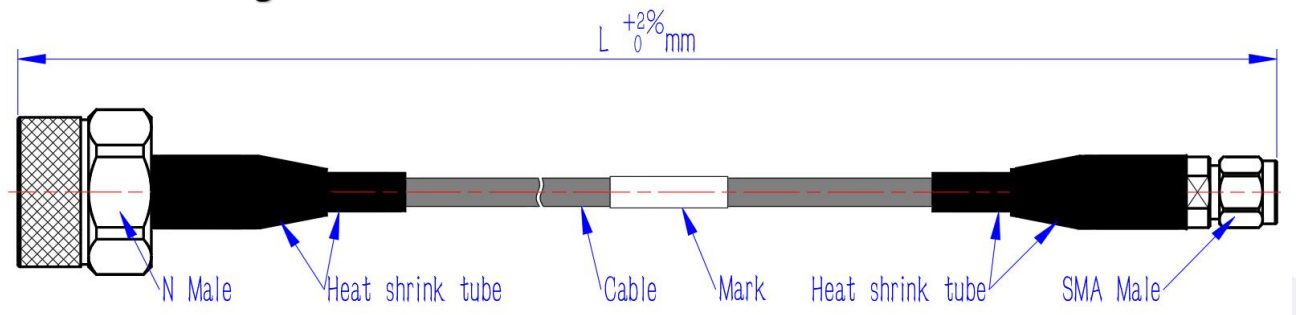
Cable Performance By Frequency:

Frequency	1 GHz	2 GHz	4 GHz	6 GHz	8 GHz	12 GHz	16GHz	18 GHz	20GHz	26.5 GHz
Insertion Loss (dB/m Max)	0.35	0.50	0.72	0.89	1.03	1.28	1.49	1.58	1.67	1.95
RF Power CW (W Max.)	569	400	280	227	195	158	136	127	120	103

Connectors:

Description	Connector 1	Connector 2
Type	N Straight Male	SMA Straight Male
Contact Material And Plating	Brass,Gold	Brass,Gold
Dielectric Type	PTFE	PTFE
Body Material And Plating	Passivated Stainless Steel	Passivated Stainless Steel
Insertion Loss (dB Max)	$0.05 * \sqrt{f_GHz}$	$0.05 * \sqrt{f_GHz}$

Outline Drawing:



Ordering Information:

Base Number	Lenth	Armour (optional)	Phase/delay Matched (optional)
S1-NMSMAM	-L	-A(Black nylon woven armor)	
		-AP(PUR water proof armor)	-XXPS($\leq \pm XX$ PS)
		-AS(Stainless steel armor)	-XX°($\pm XX^\circ$)
		-AT(Transparent armor)	

Typical Performance Data:

Model:S1-NMSMAM-1m

Frequency	2 GHz		6 GHz		12 GHz		18 GHz	
	Typ	Max	Typ	Max	Typ	Max	Typ	Max
Insertion Loss	0.57	0.64	1.00	1.13	1.45	1.62	1.79	2.01
VSWR	1.03	1.05	1.05	1.10	1.15	1.20	1.20	1.25

