

Model: TMLA-060090-4045-12
Low Noise Amplifier
60-90GHz, NF:4.5 dB, Gain:40 dB
Feature:

- Ultra Wide Band: 60-90 GHz
- Gain: 40dB Typ
- Noise Figure: 4.5dB Typ
- Unconditional stability

Electrical Specifications:

Parameter	Min	Typ	Max	Units
Frequency range	60		90	GHz
Small Signal Gain	35	40		dB
Noise Figure		4.5	6	dB
Output P1dB		10		dBm
Input VSWR		3		:1
Output VSWR		2		:1
DC Voltage		12		V DC
DC power supply		100		mA

Mechanical Specifications:

Parameter	Value	Units
Input Connector	WR-12/ UG-387/U	
Output Connector	WR-12/ UG-387/U	
Power Supply Pin	Solder Pin	
Size	45*30*23	mm

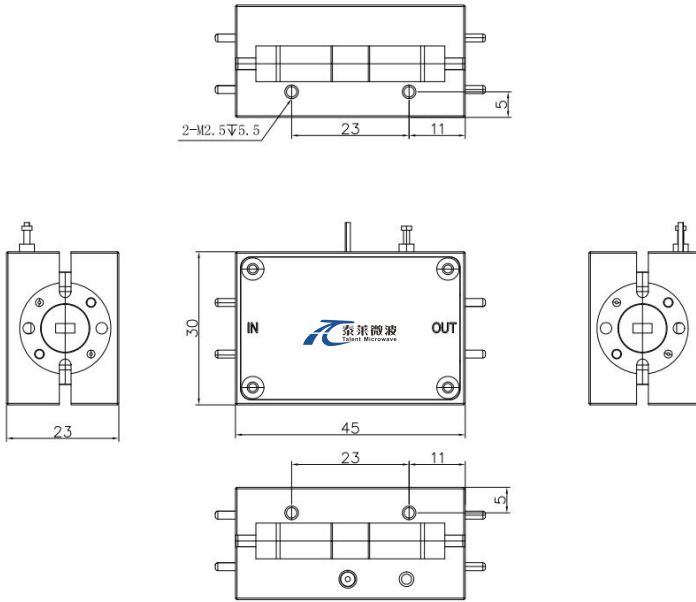
Absolute Maximum Ratings:

Parameter	Value
Supply Bias Voltage	+15V
RF Input Power	+10 dBm
ESD sensitivity (HBm)	Class 0, passed 150V


Available 220V System
Benchtop Amplifier

Outline Drawing:

Unit: mm



OBSERVE PRECAUTIONS
ELECTROSTATIC SENSITIVE
DEVICES

Environmental Conditions:

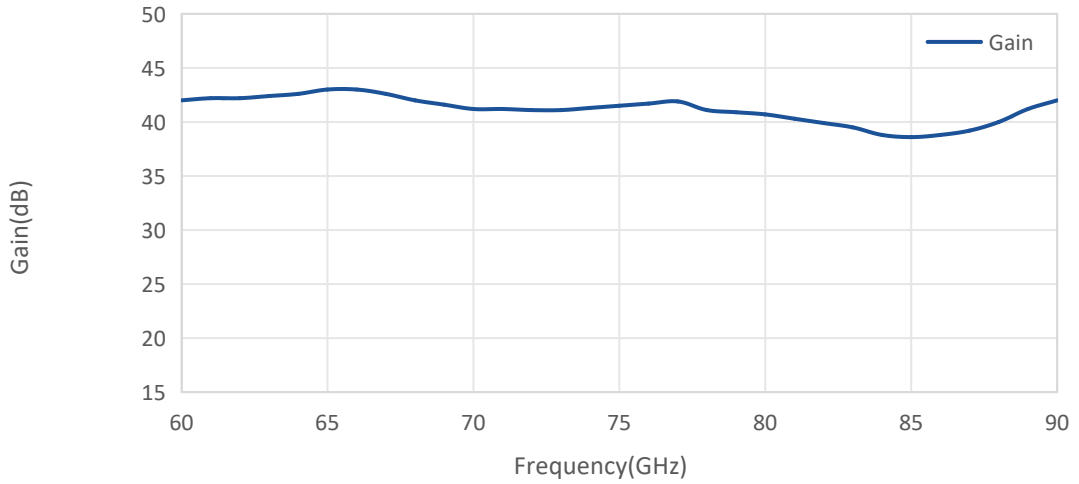
Parameter	Min	Typ	Max	Units
Operating Temperature	-25		+65	°C
Non-operating Temperature	-45		+125	°C
Relative humidity		95		%
Altitude	50,000			feet
Shock / Vibration(MIL-STD-810F)	25g rms (15 degree 2KHz) endurance, 1 hour per axis			
Shock(non operating)	20G for 11msc half sin wave,3 axis both directions			

Ordering Information:

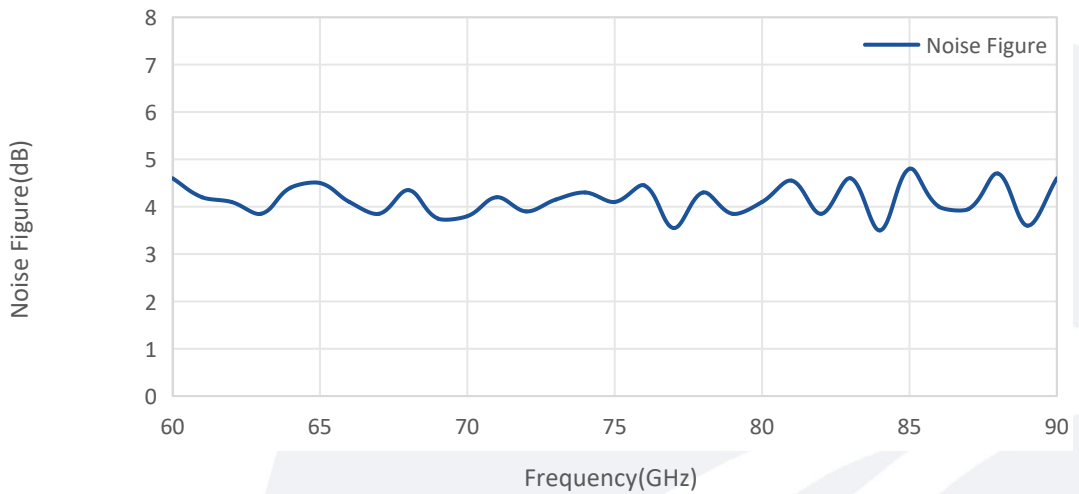
Part Number	Description	Revision
TMLA-060090-4045-12	Low Noise Amplifier,60-90GHz, Noise Figure:4.5dB, Gain:40dB,+12V DC,WR-12	Rev.1.1

Typical Performance Data:

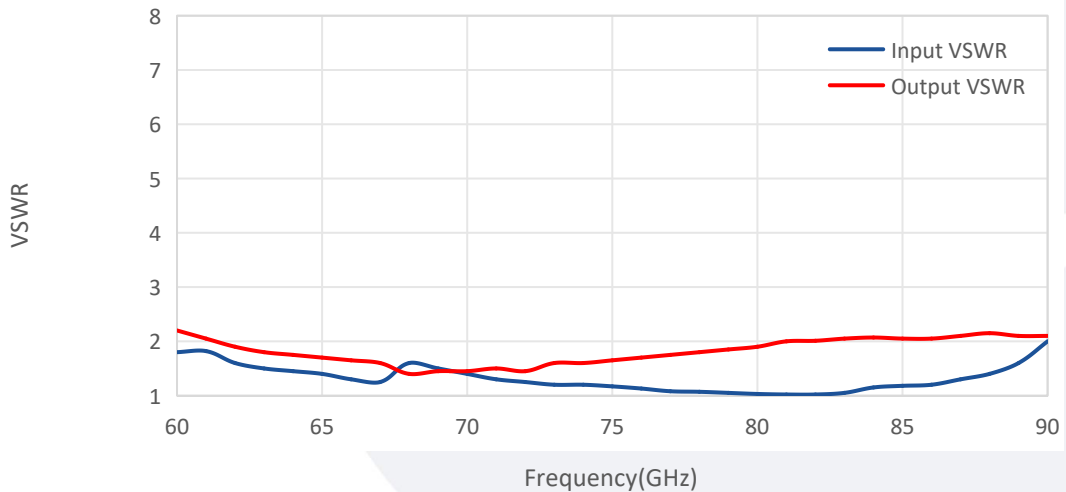
Gain vs Frequency



Noise Figure vs Frequency



VSWR vs Frequency



Note: Above data is for ref only, actual data may vary from unit to unit depending on operating environment and other factors like material lots etc.