

Model: TLVE-67110-5
**VNA Frequency Extender
 67-110 GHz,WR-10**
Feature:

- Ultra Wide Band: 67-110 GHz
- Port Output Power (No Attenuation): 5 dBm Typ
- Dynamic Range @ 10 Hz BW: 120dB Typ
- Unconditional stability

Electrical Specifications :

Parameter	Min.	Typ.	Max.	Units
Frequency range	67		110	GHz
Port Output Power		5		dBm
Input Power (Damage)			20	dBm
Output Power Attenuation (Option:Variable attenuators)	0		30	dB
Dynamic Range @ 10 Hz BW		120		dB
Directivity		40		dB
RF Input Frequency	11.16		18.33	GHz
RF Input Power	5	7	10	dBm
RF Multiplication Factor	6			
LO Input Frequency	11.16		18.33	GHz
LO Input Power	5	7	10	dBm
LO Multiplication Factor	6			
IF Frequency Range	10		1000	MHz
Stability @ 300 Hz BW		±0.1		dB
Phase Stability @ 300 Hz BW		±2.5		°

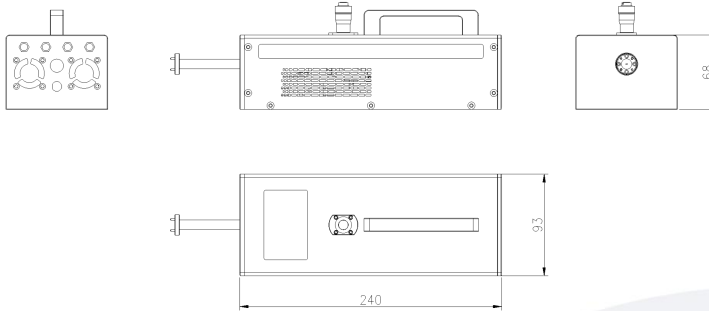
Mechanical Specifications :

Parameter	Value
RF Input Connector	SMA Female
LO Input Connector	SMA Female
IF Input Connector	SMA Female
RF Output Connecto	WR-10/UG-387
Power Supply Pin	FGG 0B 4 Core
Size	240*93* 68mm

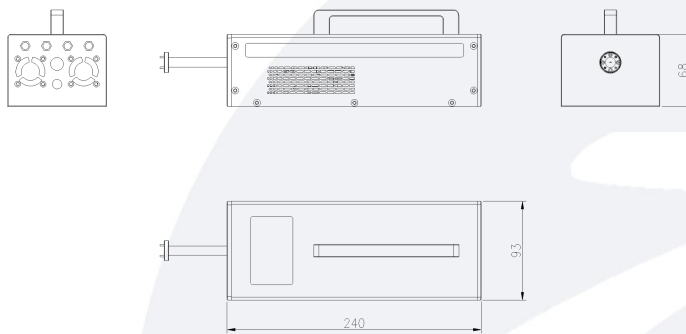
Absolute Maximum Ratings:

Parameter	Value
Supply Bias Voltage	240V
Input Power	20dBm

Outline Drawing:

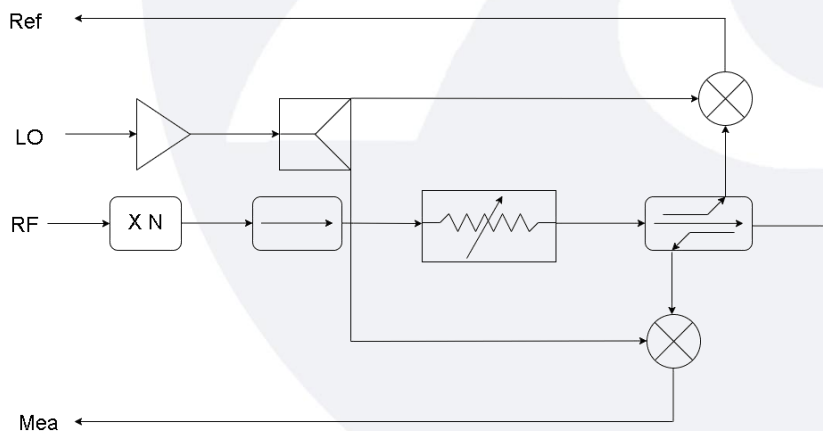


TLVE-67110-5-A



TLVE-67110-5

Block Diagrams:



Environmental Conditions:

Parameter	Min.	Typ.	Max.	Units
Operating Temperature	0		+50	°C
Non-operating Temperature	-45		+125	°C
Relative humidity		95		%
Altitude	50,000			feet
Shock / Vibration(MIL-STD-810F)	25g rms (15 degree 2KHz) endurance, 1 hour per axis			
Shock(non operating)	20G for 11msc half sin wave,3 axis both directions			

Ordering Information:

Part Number	Description	Revision
TLVE-67110-5	VNA Frequency Extender, 67-110 GHz, Output Power:5 dBm typ., Dynamic Range:120 dB typ., Magnitude Stability @ 300 Hz BW:±0.1dB,Phase Stability @ 300 Hz BW:±0.25°	Rev.1.1
TLVE-67110-5-A	VNA Frequency Extender, 67-110 GHz, Output Power:5dBm typ., Dynamic Range:120 dB typ., Magnitude Stability @ 300 Hz BW:±0.1dB,Phase Stability @ 300 Hz BW:±0.25°,with Micrometer driven variable attenuators	Rev.1.1

Components Included :

Part Number	Description	Quantity
S1-SMAMSMAM-1.2m	COAXIAL CABLE ASSEMBLY	4 PCS
TLACTDC-22012	AC-to-DC Power Adapter	1 PCS

Notes:

1. Dimensions and specifications may be changed without prior notice.
2. Standard Warranty:three years.