

Model: TMPA-060087-2227-12

Power Amplifier

60-87GHz, Gain:20 dB, Psat:27 dBm

Feature:

- Frequency Range: 60-87 GHz
- Gain:20 dB Type
- Output Power Psat:27 dBm Type
- Good Power and Gain Flatness

Electrical Specifications:

Parameter	Min	Typ	Max	Units
Frequency range	60-87			GHz
Small Signal Gain		20		dB
Output Psat		27		dBm
Input VSWR		2		:1
Output VSWR		2		:1
DC Voltage		12		V DC
DC Supply Current		330		mA

Mechanical Specifications:

Parameter	Value	Units
Input /Output Connector	WR-12/UG-387/U	
DC Bias	Solder Pin	
Size	50*40*20	mm
Weight	/	g

Absolute Maximum Ratings:

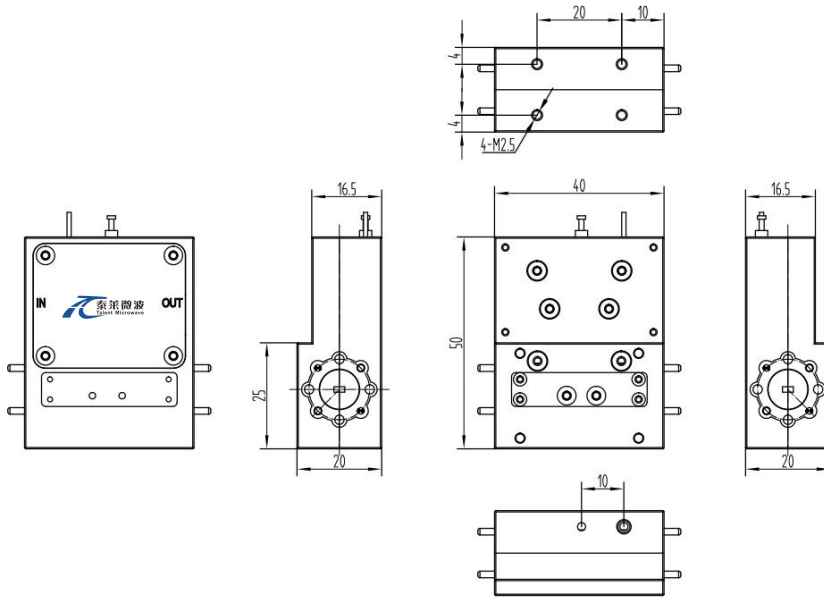
Parameter	Value
Supply Bias Voltage	+15 V
RF Input Power	17 dBm
ESD sensitivity (HBm)	Class 0, passed 150V



**Available 220V System
Benchtop Amplifier**

Outline Drawing:

Unit: mm



Environmental Conditions:

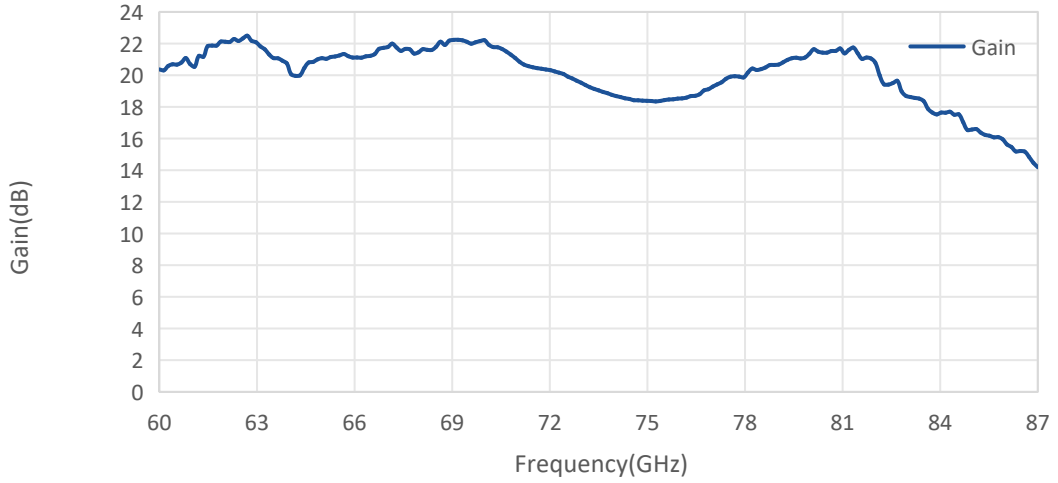
Parameter	Min	Typ	Max	Units
Operating Temperature	-10		+65	°C
Non-operating Temperature	-55		+125	°C
Relative humidity		95		%
Altitude	50,000			feet
Shock / Vibration(MIL-STD-810F)	25g rms (15 degree 2KHz) endurance, 1 hour per axis			
Shock(non operating)	20G for 11msc half sin wave,3 axis both directions			

Ordering Information:

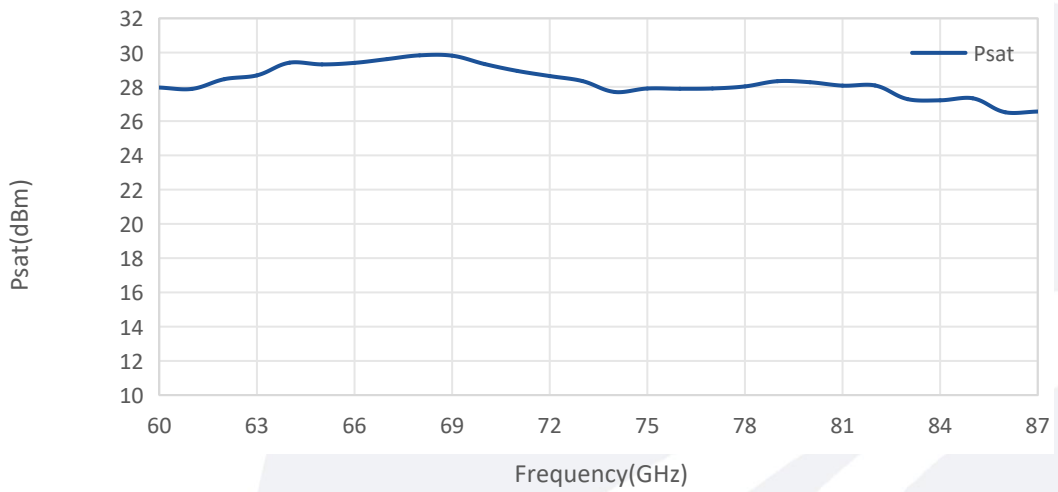
Part Number	Description	Revision
TMPA-060087-2227-12	Power Amplifier, 60-87 GHz, Gain:20 dB Type, Psat:27 dBm Type, +12V DC,WR-12	Rev.1.1

Typical Performance Data:

Gain vs Frequency



Psat vs Frequency



Note: Above data is for ref only, actual data may vary from unit to unit depending on operating environment and other factors like material lots etc.