

**Part No : TT2-50-2.4**

DC-50GHz,2W,2.4mm Male Coaxial Fixed Terminations

**Electrical Specifications:**

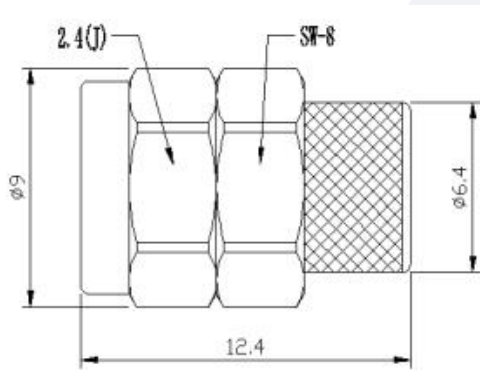
Frequency Range:	DC-50GHz
VSWR:	≤1.35
RF Power Handling:	≤2Watts
Impedance:	50 Ohms

**Mechanical Specifications:**

Operation Temperature:	-55°C - +125°C
Storage Temperature:	-55°C - +125°C
Body Material:	Stainless Steel
Connectors:	2.4mm Male
Relative Humidity:	≤90%

**Outline Drawing:**

Unit: mm



**Ordering Information:**

Part Number	Description
TT2-50-2.4	DC-50GHz,2W,2.4mm Male Coaxial Fixed Termination

典型曲线 Typical Performance Data:

Input VSWR vs Frequency

