

## Model: TMLA-060090-3840-12

## Low Noise Amplifier 60-90GHz, NF:4.0 dB, Gain:38 dB

### Feature:

- Ultra Wide Band: 60-90 GHz
- Gain: 38dB Typ
- Noise Figure:4.0dB Typ
- Unconditional stability

### Electrical Specifications:

Parameter	Min	Typ	Max	Units
Frequency range	60		90	GHz
Gain		38		dB
Noise Figure		4		dB
Output P1dB		12		dBm
Input VSWR		3		:1
Output VSWR		2		:1
DC Voltage		12		V DC
DC power supply		60		mA

### Mechanical Specifications:

Parameter	Value	Units
Input Connector	WR-12/ UG-387/U	
Output Connector	WR-12/ UG-387/U	
Power Supply Pin	Solder Pin	
Size	45*30*23	mm

### Absolute Maximum Ratings:

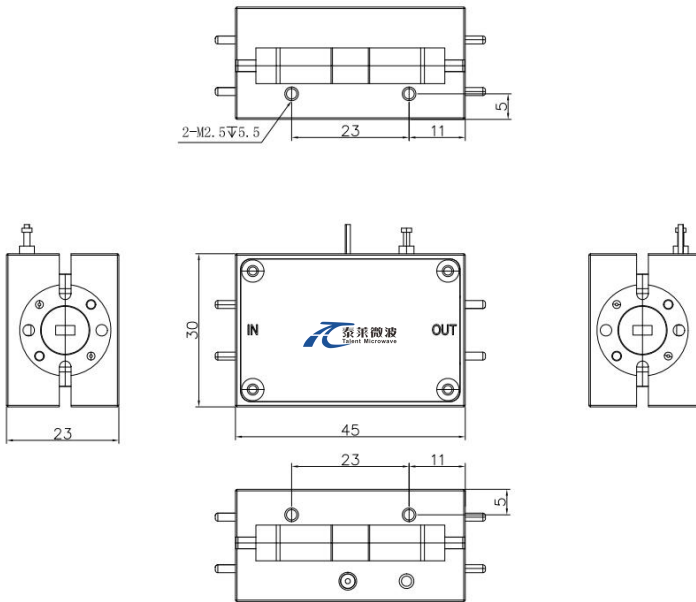
Parameter	Value
Supply Bias Voltage	15 V
RF Input Power	TBD
ESD sensitivity (HBm)	Class 0, passed 150V



Available 220V System  
Benchtop Amplifier

**Outline Drawing:**

Unit: mm



OBSERVE PRECAUTIONS  
ELECTROSTATIC SENSITIVE  
DEVICES

**Environmental Conditions:**

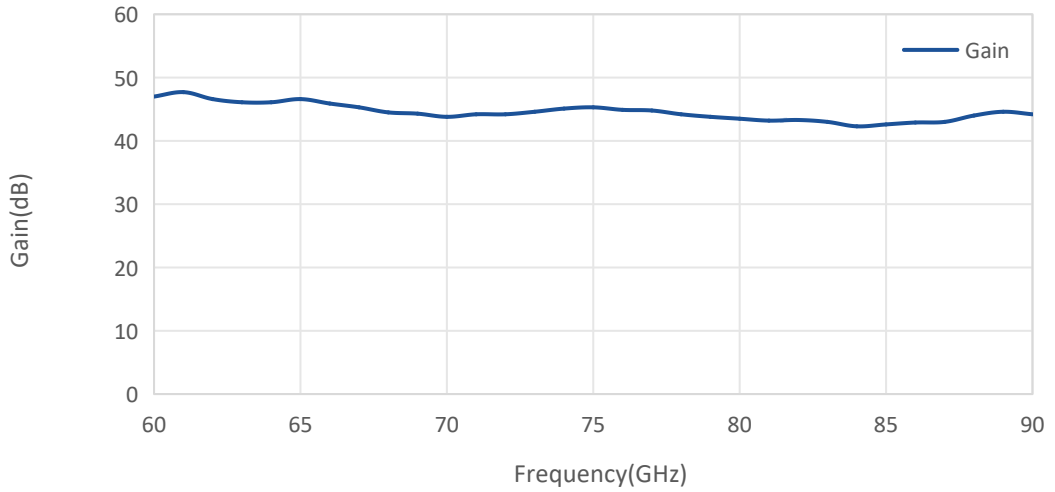
Parameter	Min	Typ	Max	Units
Operating Temperature	-25		+65	°C
Non-operating Temperature	-45		+125	°C
Relative humidity		95		%
Altitude	50,000			feet
Shock / Vibration(MIL-STD-810F)	25g rms (15 degree 2KHz) endurance, 1 hour per axis			
Shock(non operating)	20G for 11msc half sin wave,3 axis both directions			

**Ordering Information:**

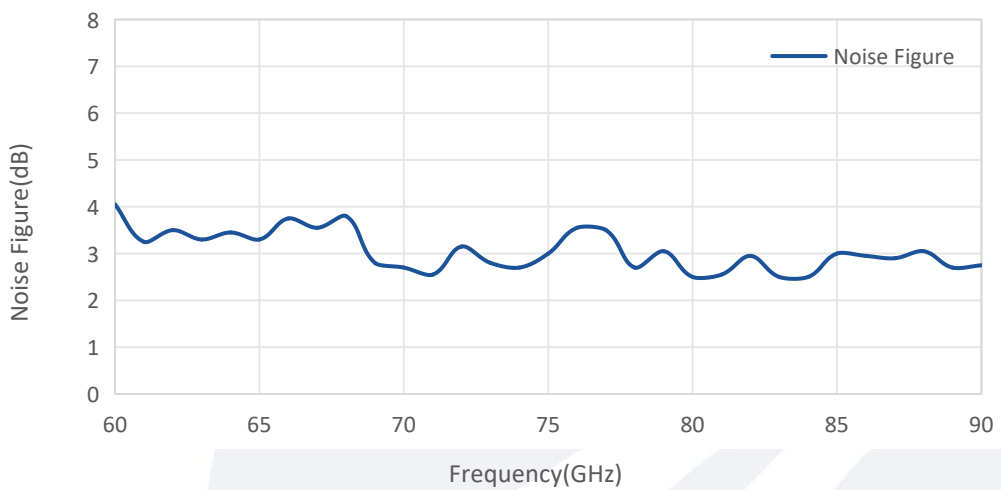
Part Number	Description	Revision
TMLA-060090-3840-12	Low Noise Amplifier,60-90GHz, Noise Figure:4.0dB, Gain:38dB,+12V DC,WR-12	Rev.1.1

Typical Performance Data:

Gain vs Frequency



Noise Figure vs Frequency



VSWR vs Frequency

