

Model: TMLA-075110-3540-10

Low Noise Amplifier
75-110GHz, NF:4.0 dB, Gain:35 dB

Feature:

- Ultra Wide Band: 75-110 GHz
- Gain: 35dB Typ
- Noise Figure:4.0dB Typ
- Unconditional stability

Electrical Specifications:

Parameter	Min	Typ	Max	Units
Frequency range	75		110	GHz
Gain	35	39		dB
Noise Figure		4.0		dB
Output P1dB		0		dBm
Input VSWR		2.5		:1
Output VSWR		2.2		:1
DC Voltage		+12		V DC
DC power supply		60		mA

Mechanical Specifications:

Parameter	Value	Units
Input Connector	WR-10/ UG-387/U	
Output Connector	WR-10/ UG-387/U	
Power Supply Pin	Solder Pin	
Size	39*30*23	mm

Absolute Maximum Ratings:

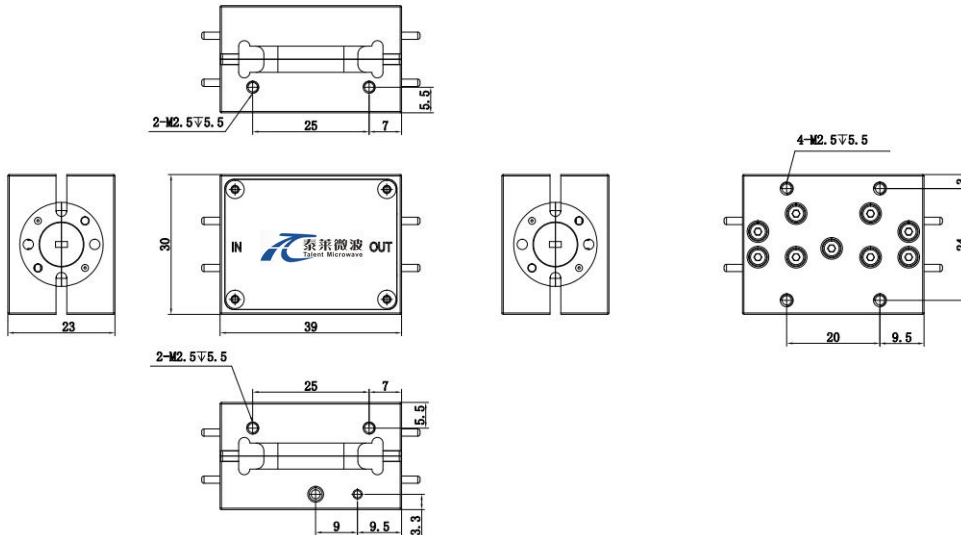
Parameter	Value
Supply Bias Voltage	+13 V
RF Input Power	0dBm
ESD sensitivity (HBM)	Class 0, passed 150V



**Available 220V System
Benchtop Amplifier**

Outline Drawing:

Unit:mm



Environmental Conditions:



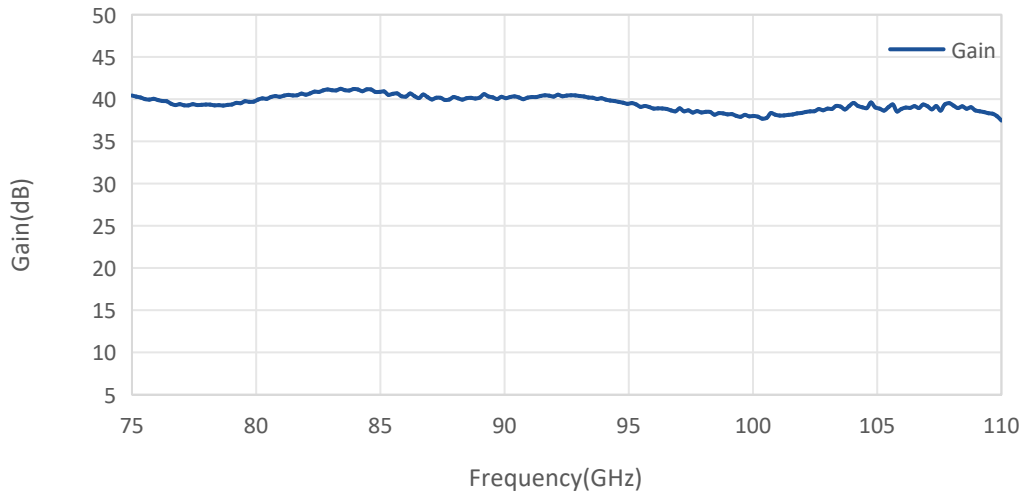
Parameter	Min	Typ	Max	Units
Operating Temperature	-10		+65	°C
Non-operating Temperature	-25		+75	°C
Relative humidity		95		%
Altitude	50,000			feet
Shock / Vibration(MIL-STD-810F)	25g rms (15 degree 2KHz) endurance, 1 hour per axis			
Shock(non operating)	20G for 11msc half sin wave,3 axis both directions			

Ordering Information:

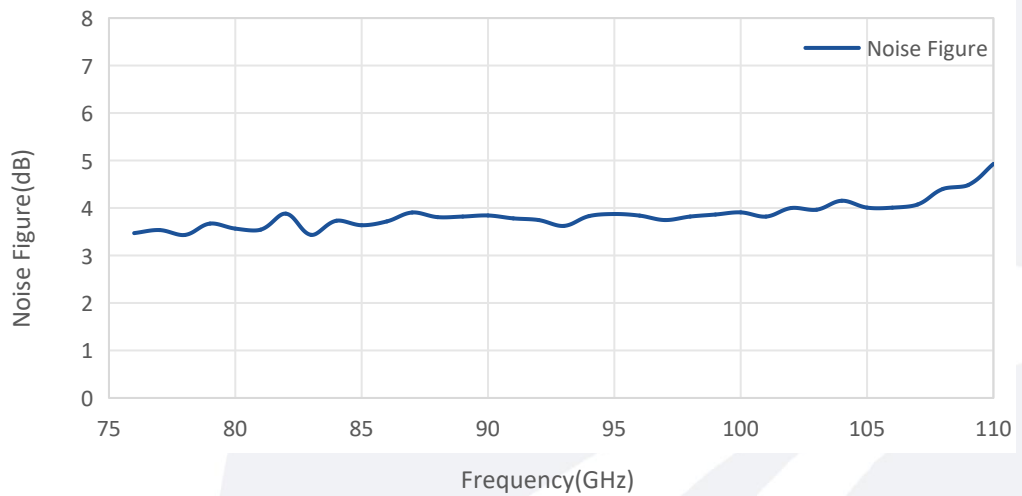
Part Number	Description	Revision
TMLA-075110-3540-10	Low Noise Amplifier,75-110GHz, Noise Figure:4.0dB, Gain:35dB,+12V DC,WR-10	Rev.1.1

Typical Performance Data:

Gain vs Frequency



Noise Figure vs Frequency



Input VSWR vs Frequency

